

Z-FLEX[®]
CHIMNEY & VENTING SOLUTIONS



Z-Vent[®] Commercial Systems Dimensional Data

November 2018

Z-Vent Single Wall

Pipe	1
Boot Tee	2
Tee	2
Tee Cap with Drain	3
Adjustable Pipe	3
Vertical Drain Pipe	4
Pipe with Inspection Port	4
Low Resistance Rain Cap	5
Rain Cap	5
Exit Cone	6
Wall Termination	6
45° Termination Elbow	7
90° Termination Elbow	7
Termination Hood	7
15° Elbow	8
30° Elbow	8
45° Elbow	9
90° Elbow	9
Concentric Increaser	10
Eccentric Increaser	11
Concentric Reducer	11
Flashing Flat	12
Flashing 0-30°	12
Wall Thimble	13
Storm Collar	13
Guy Band	14
Firestop Support	14
Vent Support	15
Base Support	15
Adapter 6in. (Double Female)	16
Floor Based Support	16
Roof Jack Support System	17

Z-Vent Double Wall

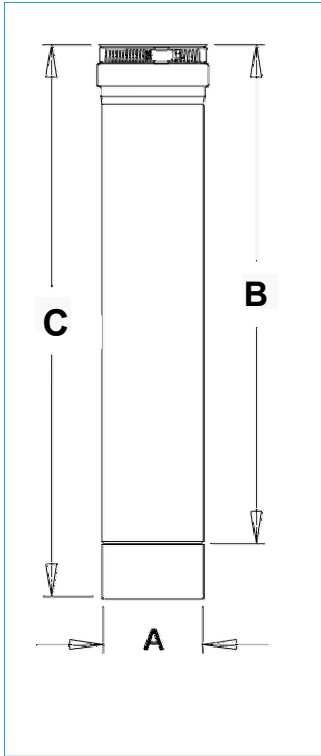
Double Wall Pipe	18
Double Wall Boot Tee	19
Double Wall Tee	19
Double Wall Tee Cap	20
Double Tee Cap with Drain	20
Double Wall Damper Pipe	21
Single Wall to Double Wall Adapter	22
Double Wall to Single Wall Adapter	22
Double Wall Rain Cap	23
Low Resistance Double Wall Rain Cap	23
15° Double Wall Elbow	24
30° Double Wall Elbow	24
45° Double Wall Elbow	25
90° Double Wall Elbow	25
Double Wall Eccentric Increaser	26
Double Wall Concentric Increaser	27
Double Wall Base Support	28
Double Wall Vent Support	28
Double Wall Storm Collar/Top Support	29
Double Wall Termination	29
Double Wall Adjustable Length Pipe	30
Double Wall Exit Cone	30

*AL 29-4C is a registered trademark of Allegheny Ludlum Corp.

Z-VENT™ Single Wall AL 29-4C® Special Gas Vent

Available in diameters 3in to 24in and standard lengths up to 10ft (3in and 4in diameter only). Pipe can be cut to length. The female end of each **Z-VENT™** component incorporates a *Double Fail Safe™* self sealing gasket. Examine all components to ensure that gasket integrity has remained during shipping. Gaskets must be in proper position or flue gases could leak resulting in carbon monoxide poisoning. The installation shall be in accordance with the manufacturer's installation instructions.

Pipe



A	B	C	Part Number	Description	A	B	C	Part Number	Description
3in	3.75	5.75	2SVEPWC03.5	Z-Vent Pipe 3in x 6in		15.75	17.75	2SVEP0901.5	Z-Vent Pipe 9in x 1.5ft
	9.75	11.75	2SVEPWCF0301	Z-Vent Pipe 3in x 1 ft		21.75	23.75	2SVEP0902	Z-Vent Pipe 9in x 2ft
	15.75	17.75	2SVEPWCF0301.5	Z-Vent Pipe 3in x 1.5ft		33.75	35.75	2SVEP0903	Z-Vent Pipe 9in x 3ft
	21.75	23.75	2SVEPWCF0302	Z-Vent Pipe 3in x 2ft	10in	3.75	5.75	2SVEP10.5	Z-Vent Pipe 10in x 6in
	33.75	35.75	2SVEPWCF0303	Z-Vent Pipe 3in x 3ft		9.75	11.75	2SVEP1001	Z-Vent Pipe 10in x 1 ft
	45.75	47.75	2SVEPWCF0304	Z-Vent Pipe 3in x 4ft		15.75	17.75	2SVEP1001.5	Z-Vent Pipe 10in x 1.5ft
57.75	59.75	2SVEPWCF0306	Z-Vent Pipe 3in x 5ft		21.75	23.75	2SVEP1002	Z-Vent Pipe 10in x 2ft	
93.75	95.75	2SVEPWCF0308	Z-Vent Pipe 3in x 8ft		33.75	35.75	2SVEP1003	Z-Vent Pipe 10in x 3ft	
117.75	119.75	2SVEPWCF0310	Z-Vent Pipe 3in x 10ft		12in	3.75	5.75	2SVEP12.5	Z-Vent Pipe 12in x 6in
4in	3.75	5.75	2SVEPWCF04.5	Z-Vent Pipe 4in x 6in		9.75	11.75	2SVEP1201	Z-Vent Pipe 12in x 1 ft
	9.75	11.75	2SVEPWCF0401	Z-Vent Pipe 4in x 1 ft		15.75	17.75	2SVEP1201.5	Z-Vent Pipe 12in x 1.5ft
	15.75	17.75	2SVEPWCF0401.5	Z-Vent Pipe 4in x 1.5ft		21.75	23.75	2SVEP1202	Z-Vent Pipe 12in x 2ft
	21.75	23.75	2SVEPWCF0402	Z-Vent Pipe 4in x 2ft		33.75	35.75	2SVEP1203	Z-Vent Pipe 12in x 3ft
	33.75	35.75	2SVEPWCF0403	Z-Vent Pipe 4in x 3ft	14in	4.75	7.75	2SVEP14.5	Z-Vent Pipe 14in x 6in
	45.75	47.75	2SVEPWCF0404	Z-Vent Pipe 4in x 4ft		8.75	11.75	2SVEP1401	Z-Vent Pipe 14in x 1 ft
57.75	59.75	2SVEPWCF0405	Z-Vent Pipe 4in x 5ft		14.75	17.75	2SVEP1401.5	Z-Vent Pipe 14in x 1.5ft	
93.75	95.75	2SVEPWCF0408	Z-Vent Pipe 4in x 8ft		20.75	23.75	2SVEP1402	Z-Vent Pipe 14in x 2ft	
117.75	119.75	2SVEPWCF0410	Z-Vent Pipe 4in x 10ft		32.75	35.75	2SVEP1403	Z-Vent Pipe 14in x 3ft	
5in	3.75	5.75	2SVEPWC05.5	Z-Vent Pipe 5in x 6in	16in	4.75	7.75	2SVEP16.5	Z-Vent Pipe 16in x 6in
	9.75	11.75	2SVEPWC0501	Z-Vent Pipe 5in x 1 ft		8.75	11.75	2SVEP1601	Z-Vent Pipe 16in x 1 ft
	15.75	17.75	2SVEPWC0501.5	Z-Vent Pipe 5in x 1.5ft		14.75	17.75	2SVEP1601.5	Z-Vent Pipe 16in x 1.5ft
	21.75	23.75	2SVEPWC0502	Z-Vent Pipe 5in x 2ft		20.75	23.75	2SVEP1602	Z-Vent Pipe 16in x 2ft
	33.75	35.75	2SVEPWC0503	Z-Vent Pipe 5in x 3ft		32.75	35.75	2SVEP1603	Z-Vent Pipe 16in x 3ft
	45.75	47.75	2SVEPWC0504	Z-Vent Pipe 5in x 4ft		18in	4.75	7.75	2SVEP18.5
6in	3.75	5.75	2SVEP06.5	Z-Vent Pipe 6in x 6in		8.75	11.75	2SVEP1801	Z-Vent Pipe 18in x 1 ft
	9.75	11.75	2SVEP0601	Z-Vent Pipe 6in x 1 ft		14.75	17.75	2SVEP1801.5	Z-Vent Pipe 18in x 1.5ft
	15.75	17.75	2SVEP0601.5	Z-Vent Pipe 6in x 1.5ft		20.75	23.75	2SVEP1802	Z-Vent Pipe 18in x 2ft
	21.75	23.75	2SVEP0602	Z-Vent Pipe 6in x 2ft		32.75	35.75	2SVEP1803	Z-Vent Pipe 18in x 3ft
	33.75	35.75	2SVEP0603	Z-Vent Pipe 6in x 3ft	20in	4.75	7.75	2SVEP20.5	Z-Vent Pipe 20in x 6in
	45.75	47.75	2SVEP0604	Z-Vent Pipe 6in x 4ft		8.75	11.75	2SVEP2001	Z-Vent Pipe 20in x 1 ft
7in	3.75	5.75	2SVEP07.5	Z-Vent Pipe 7in x 6in		14.75	17.75	2SVEP2001.5	Z-Vent Pipe 20in x 1.5ft
	9.75	11.75	2SVEP0701	Z-Vent Pipe 7in x 1 ft		20.75	23.75	2SVEP2002	Z-Vent Pipe 20in x 2ft
	15.75	17.75	2SVEP0701.5	Z-Vent Pipe 7in x 1.5ft		32.75	35.75	2SVEP2003	Z-Vent Pipe 20in x 3ft
	21.75	23.75	2SVEP0702	Z-Vent Pipe 7in x 2ft	22in	4.75	7.75	2SVEP22.5	Z-Vent Pipe 22in x 6in
	33.75	35.75	2SVEP0703	Z-Vent Pipe 7in x 3ft		8.75	11.75	2SVEP2201	Z-Vent Pipe 22in x 1 ft
	45.75	47.75	2SVEP0704	Z-Vent Pipe 7in x 4ft		14.75	17.75	2SVEP2201.5	Z-Vent Pipe 22in x 1.5ft
8in	3.75	5.75	2SVEP08.5	Z-Vent Pipe 8in x 6in		20.75	23.75	2SVEP2202	Z-Vent Pipe 22in x 2ft
	9.75	11.75	2SVEP0801	Z-Vent Pipe 8in x 1 ft		32.75	35.75	2SVEP2203	Z-Vent Pipe 22in x 3ft
	15.75	17.75	2SVEP0801.5	Z-Vent Pipe 8in x 1.5ft	24in	4.75	7.75	2SVEP24.5	Z-Vent Pipe 24in x 6in
	21.75	23.75	2SVEP0802	Z-Vent Pipe 8in x 2ft		8.75	11.75	2SVEP2401	Z-Vent Pipe 24in x 1 ft
	33.75	35.75	2SVEP0803	Z-Vent Pipe 8in x 3ft		14.75	17.75	2SVEP2401.5	Z-Vent Pipe 24in x 1.5ft
	45.75	47.75	2SVEP0804	Z-Vent Pipe 8in x 4ft		20.75	23.75	2SVEP2402	Z-Vent Pipe 24in x 2ft
9in	3.75	5.75	2SVEP09.5	Z-Vent Pipe 9in x 6in		32.75	35.75	2SVEP2403	Z-Vent Pipe 24in x 3ft
	9.75	11.75	2SVEP0901	Z-Vent Pipe 9in x 1 ft					

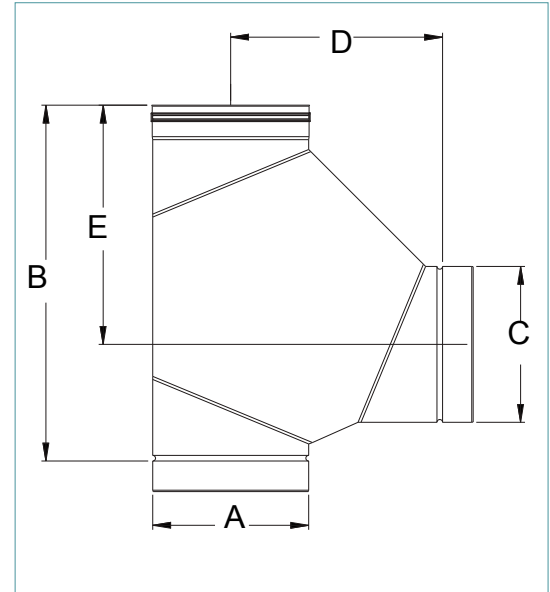
Z-VENT™ Single Wall

AL 29-4C® Special Gas Vent

Boot Tee

A	B	C	D	E	Part Number	Description
3	11.20	3	5.75	7.25	2SVSTBT03	Z-Vent Boot Tee 3 in
4	12.05	4	6.55	7.95	2SVSTBT04	Z-Vent Boot Tee 4 in
5	13.95	5	7.80	9.20	2SVSTBT05	Z-Vent Boot Tee 5 in
6	15.95	6	9.10	10.60	2SVSTBT06	Z-Vent Boot Tee 6 in
7	17.70	7	10.30	11.70	2SVSTBT07	Z-Vent Boot Tee 7 in
8	19.50	8	11.55	12.95	2SVSTBT08	Z-Vent Boot Tee 8 in
9	21.50	9	12.80	14.20	2SVSTBT09	Z-Vent Boot Tee 9 in
10	23.40	10	14.05	15.45	2SVSTBT10	Z-Vent Boot Tee 10 in
12	27.15	12	17.05	17.95	2SVSTBT12	Z-Vent Boot Tee 12 in
14	31.95	14	19.05	21.45	2SVSTBT14	Z-Vent Boot Tee 14 in
16	35.50	16	21.55	23.95	2SVSTBT16	Z-Vent Boot Tee 16 in
18	39.50	18	24.10	26.55	2SVSTBT18	Z-Vent Boot Tee 18 in
20	42.95	20	26.50	28.95	2SVSTBT20	Z-Vent Boot Tee 20 in
22	47.00	22	29.25	31.70	2SVSTBT22	Z-Vent Boot Tee 22 in
24	51.00	24	31.50	34.00	2SVSTBT24	Z-Vent Boot Tee 24 in

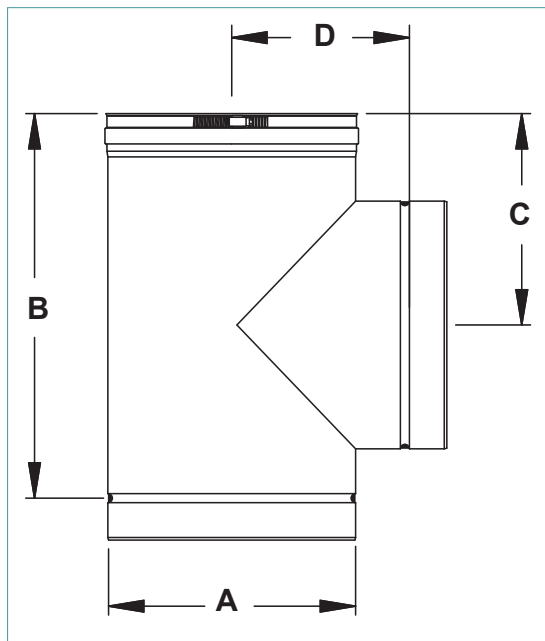
A Boot Tee is designed to allow a low, flow resistance connection of horizontal and vertical sections. A tee cap is available separately.



A tee is used to connect horizontal and vertical vent sections

Tee

A	B	C	D	Part Number	Description
3	9.29	5.75	4.00	2SVST03	Z-Vent Tee 3 in
4	9.25	6.17	3.63	2SVST04	Z-Vent Tee 4 in
5	10.25	6.67	4.50	2SVST05	Z-Vent Tee 5 in
6	12.60	7.17	5.00	2SVST06	Z-Vent Tee 6 in
7	13.63	7.67	5.50	2SVST07	Z-Vent Tee 7 in
8	13.75	8.20	6.50	2SVST08	Z-Vent Tee 8 in
9	14.48	8.00	6.50	2SVST09	Z-Vent Tee 9 in
10	15.00	8.25	7.00	2SVST10	Z-Vent Tee 10 in
12	18.00	9.75	8.00	2SVST12	Z-Vent Tee 12 in
14	19.00	10.75	8.00	2SVST14	Z-Vent Tee 14 in
16	21.00	11.75	9.50	2SVST16	Z-Vent Tee 16 in
18	22.00	12.25	10.00	2SVST18	Z-Vent Tee 18 in
20	24.00	13.25	11.00	2SVST20	Z-Vent Tee 20 in
22	27.63	14.75	13.00	2SVST22	Z-Vent Tee 22 in
24	29.00	15.75	15.00	2SVST24	Z-Vent Tee 24 in

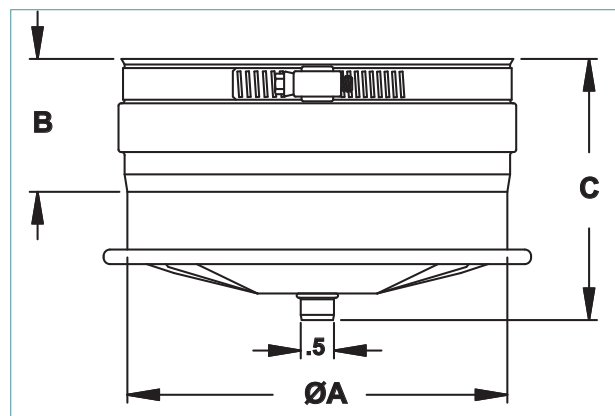


Z-VENT™ Single Wall AL 29-4C® Special Gas Vent

Tee Cap with Drain

A	B	C	Part Number	Description
5	2	6	2SVSTCD05	Z-Vent Tee Cap with Drain 5 in
6	2	6	2SVSTCD06	Z-Vent Tee Cap with Drain 6 in
7	2	6	2SVSTCD07	Z-Vent Tee Cap with Drain 7 in
8	2	6	2SVSTCD08	Z-Vent Tee Cap with Drain 8 in
9	2	6	2SVSTCD09	Z-Vent Tee Cap with Drain 9 in
10	2	6	2SVSTCD10	Z-Vent Tee Cap with Drain 10 in
12	2	6	2SVSTCD12	Z-Vent Tee Cap with Drain 12 in
14	3	7	2SVSTCD14	Z-Vent Tee Cap with Drain 14 in
16	3	7	2SVSTCD16	Z-Vent Tee Cap with Drain 16 in
18	3	7	2SVSTCD18	Z-Vent Tee Cap with Drain 18 in
20	3	7	2SVSTCD20	Z-Vent Tee Cap with Drain 20 in
22	3	7	2SVSTCD22	Z-Vent Tee Cap with Drain 22 in
24	3	7	2SVSTCD24	Z-Vent Tee Cap with Drain 24 in

A tee cap with drain is required at the bottom of a vertical stack. High temperature silicone tubing is available separately.

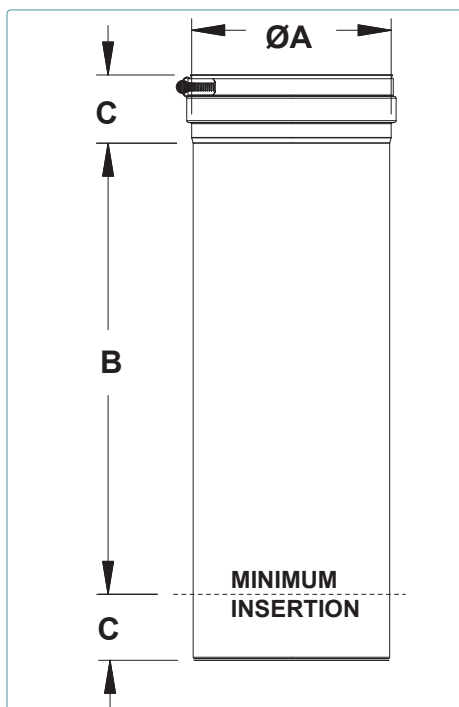


The use of adjustable pipe may be required when the system must be located within extremely tight installation parameters.

IMPORTANT: Adjustable pipe can only be used with an adjacent pipe. Not to be inserted into fittings.

Adjustable Pipe

A	B	C	Part Number	Description
3	7.75	2.00	2SVSPA03	Z-Vent Adjustable Pipe 3 in
4	7.75	2.00	2SVSPA04	Z-Vent Adjustable Pipe 4 in
5	13.75	2.00	2SVSPA05	Z-Vent Adjustable Pipe 5 in
6	13.75	2.00	2SVSPA06	Z-Vent Adjustable Pipe 6 in
7	13.75	2.00	2SVSPA07	Z-Vent Adjustable Pipe 7 in
8	13.75	2.00	2SVSPA08	Z-Vent Adjustable Pipe 8 in
9	13.75	2.00	2SVSPA09	Z-Vent Adjustable Pipe 9 in
10	13.75	2.00	2SVSPA10	Z-Vent Adjustable Pipe 10 in
12	13.75	2.00	2SVSPA12	Z-Vent Adjustable Pipe 12 in
14	11.75	3.00	2SVSPA14	Z-Vent Adjustable Pipe 14 in
16	11.75	3.00	2SVSPA16	Z-Vent Adjustable Pipe 16 in
18	11.75	3.00	2SVSPA18	Z-Vent Adjustable Pipe 18 in
20	11.75	3.00	2SVSPA20	Z-Vent Adjustable Pipe 20 in
22	11.75	3.00	2SVSPA22	Z-Vent Adjustable Pipe 22 in
24	11.75	3.00	2SVSPA24	Z-Vent Adjustable Pipe 24 in



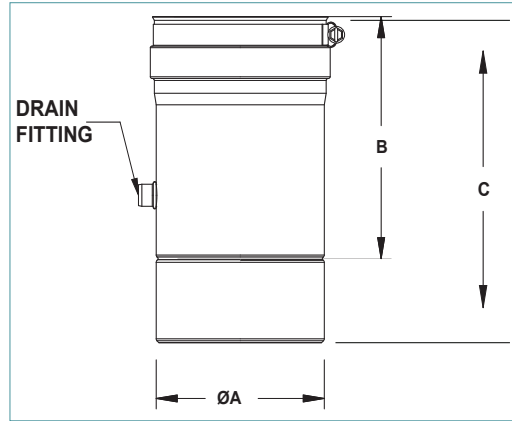
Z-VENT™ Single Wall

AL 29-4C® Special Gas Vent

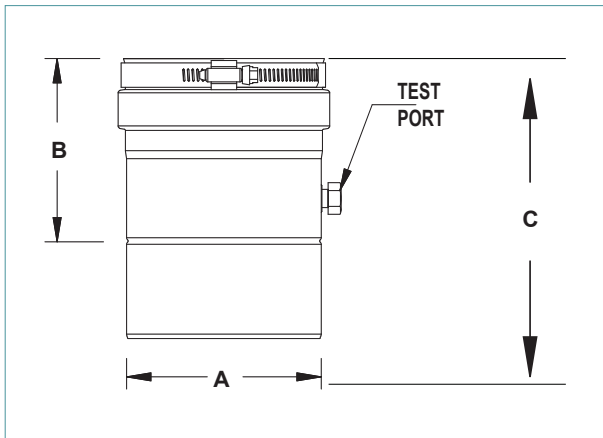
Vertical Drain Pipe

A	B	Part Number	Description
3	5.75	2SVEVDP03	Vertical Drain Pipe 3"
4	5.75	2SVEVDP04	Vertical Drain Pipe 4"
5	5.75	2SVEVDP05	Vertical Drain Pipe 5"

Used to drain condensate from the Vent system. High temperature Drain Tube kit sold separately.



Vent length with test port allows easy access for flue gas analysis.



Pipe with Inspection Port

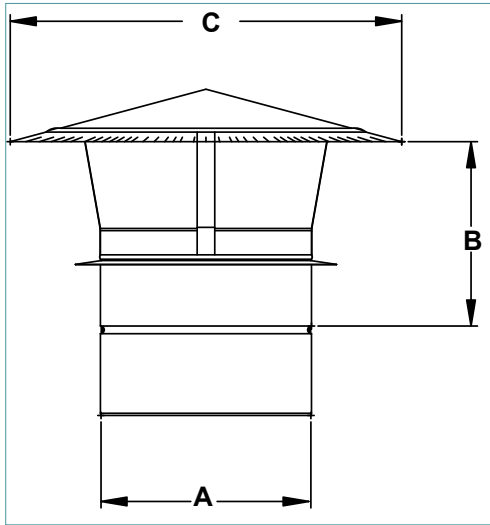
A	B	Part Number	Description
3	3.75	2SVSPRT03.5	Z-Vent Inspection Port Pipe 3 in
4	3.75	2SVSPRT04.5	Z-Vent Inspection Port Pipe 4 in
5	3.75	2SVSPRT05.5	Z-Vent Inspection Port Pipe 5 in
6	3.75	2SVSPRT06.5	Z-Vent Inspection Port Pipe 6 in
7	3.75	2SVSPRT07.5	Z-Vent Inspection Port Pipe 7 in
8	3.75	2SVSPRT08.5	Z-Vent Inspection Port Pipe 8 in
9	3.75	2SVSPRT09.5	Z-Vent Inspection Port Pipe 9 in
10	3.75	2SVSPRT10.5	Z-Vent Inspection Port Pipe 10 in
12	3.75	2SVSPRT12.5	Z-Vent Inspection Port Pipe 12 in
14	4.75	2SVSPRT14.5	Z-Vent Inspection Port Pipe 14 in
16	4.75	2SVSPRT16.5	Z-Vent Inspection Port Pipe 16 in
18	4.75	2SVSPRT18.5	Z-Vent Inspection Port Pipe 18 in
20	4.75	2SVSPRT20.5	Z-Vent Inspection Port Pipe 20 in
22	4.75	2SVSPRT22.5	Z-Vent Inspection Port Pipe 22 in
24	4.75	2SVSPRT24.5	Z-Vent Inspection Port Pipe 24 in

Z-VENT™ Single Wall AL 29-4C® Special Gas Vent

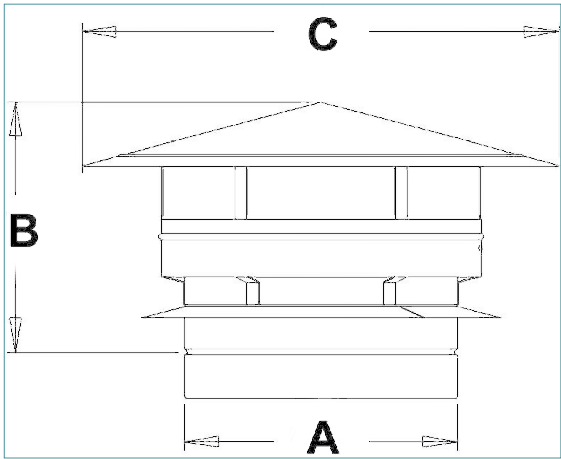
Low Resistance Rain Cap

A	B	C	Part Number	Description
5	7.00	11.00	2SVSRC05	Low Resistance Rain Cap 5in
6	7.00	12.75	2SVSRC06	Low Resistance Rain Cap 6in
7	7.30	14.00	2SVSRC07	Low Resistance Rain Cap 7in
8	7.50	15.00	2SVSRC08	Low Resistance Rain Cap 8in
9	8.00	18.50	2SVSRC09	Low Resistance Rain Cap 9in
10	8.00	18.50	2SVSRC10	Low Resistance Rain Cap 10in
12	9.00	22.12	2SVSRC12	Low Resistance Rain Cap 12in
14	10.00	25.75	2SVSRC14	Low Resistance Rain Cap 14in
16	10.25	28.80	2SVSRC16	Low Resistance Rain Cap 16in
18	10.75	32.40	2SVSRC18	Low Resistance Rain Cap 18in
20	11.00	34.40	2SVSRC20	Low Resistance Rain Cap 20in
22	11.00	36.00	2SVSRC22	Low Resistance Rain Cap 22in
24	11.00	37.88	2SVSRC24	Low Resistance Rain Cap 24in

A low resistance rain cap is designed to terminate a vertical stack and prevent the entrance of debris or rain into the vent. It also provides low resistance to flue gas flow.



A rain cap is designed to terminate a vertical stack and prevent the entrance of debris or rain into the vent. Includes wind band to prevent draft loss.



Rain Cap

A	B	C	Part Number	Description
3	6.00	11.00	2SVSRCF03	Rain Cap w/wind band 3in
4	6.00	12.75	2SVSRCF04	Rain Cap w/ wind band 4in
5	7.00	11.00	2SVSRCX05	Rain Cap w/wind band 5in
6	7.00	12.75	2SVSRCX06	Rain Cap w/wind band 6in
7	7.30	14.00	2SVSRCX07	Rain Cap w/windband 7in
8	7.50	15.00	2SVSRCX08	Rain Cap w/wind band 8in
9	8.00	18.50	2SVSRCX09	Rain Cap w/wind band 9in
10	8.00	18.50	2SVSRCX10	Rain Cap w/wind band 10in
12	9.00	22.12	2SVSRCX12	Rain Cap w/windband 12in
14	10.00	25.75	2SVSRCX14	Rain Cap w/wind band 14in
16	10.25	28.80	2SVSRCX16	Rain Cap w/wind band 16in
18	10.75	32.40	2SVSRCX18	Rain Cap w/wind band 18in
20	11.00	34.40	2SVSRCX20	Rain Cap w/wind band 20in
22	11.00	36.00	2SVSRCX22	Rain Cap w/wind band 22in
24	11.00	37.88	2SVSRCX24	Rain Cap w/wind band 24in

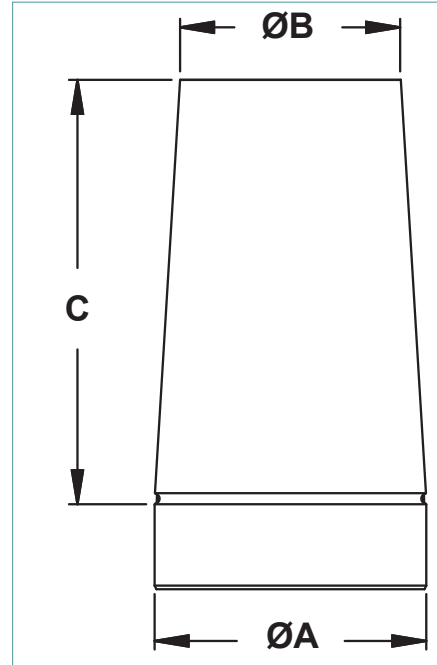
Z-VENT™ Single Wall

AL 29-4C® Special Gas Vent

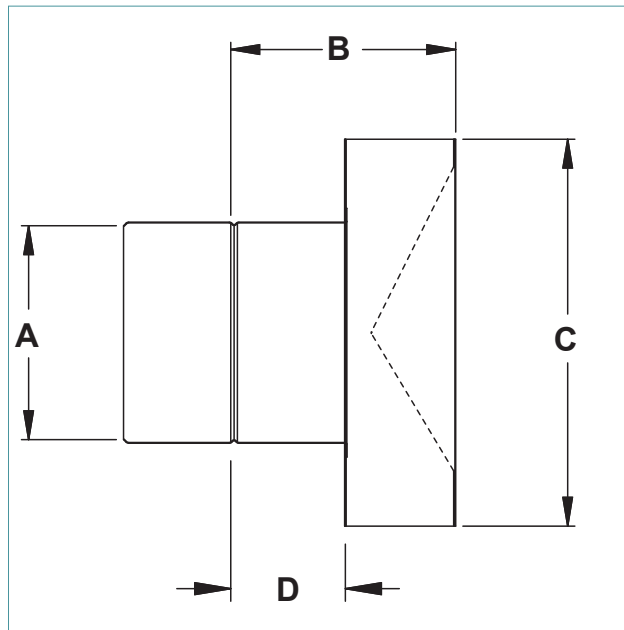
Exit Cone

A	B	C	Part Number	Description
6	4.87	9.25	2SVSXITC06	Z-Vent Exit Cone 6 in
7	5.69	9.88	2SVSXITC07	Z-Vent Exit Cone 7 in
8	6.50	10.40	2SVSXITC08	Z-Vent Exit Cone 8 in
9	7.31	10.88	2SVSXITC09	Z-Vent Exit Cone 9 in
10	8.125	11.25	2SVSXITC10	Z-Vent Exit Cone 10 in
12	9.88	12.75	2SVSXITC12	Z-Vent Exit Cone 12 in
14	11.75	13.63	2SVSXITC14	Z-Vent Exit Cone 14 in
16	13.25	14.63	2SVSXITC16	Z-Vent Exit Cone 16 in
18	14.75	15.63	2SVSXITC18	Z-Vent Exit Cone 18 in
20	16.50	16.63	2SVSXITC20	Z-Vent Exit Cone 20 in
22	18.00	17.63	2SVSXITC22	Z-Vent Exit Cone 22 in
24	19.50	18.63	2SVSXITC24	Z-Vent Exit Cone 24 in

Designed to increase stack velocity. Extremely low resistance. It is recommended to use tee cap with drain at base of stack.



A wall termination is used to terminate a horizontal vent. The special design resists winds from affecting flue gas flow.



Wall Termination

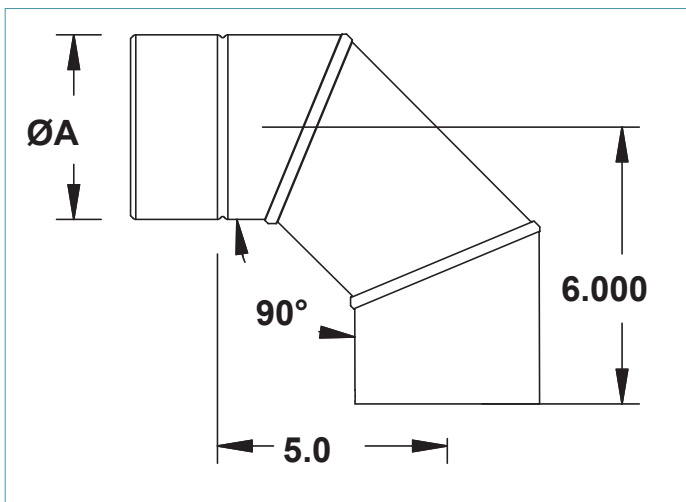
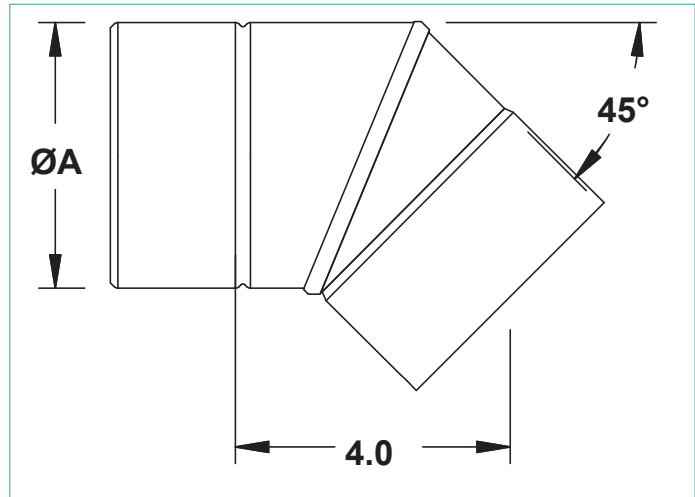
A	B	C	D	Part Number	Description
3	10.00	5.00	8.00	2SVSRTB03	Z-Vent Termination Box 3 in
4	10.00	5.00	8.00	2SVSRTB04	Z-Vent Termination Box 4 in
5	4.13	7.00	2.00	2SVSRTX05	Z-Vent Termination Box 5 in
6	4.75	8.00	2.00	2SVSRTX06	Z-Vent Termination Box 6 in
7	5.25	9.00	2.00	2SVSRTX07	Z-Vent Termination Box 7 in
8	5.75	10.00	2.00	2SVSRTX08	Z-Vent Termination Box 8 in
9	6.13	11.00	2.00	2SVSRTX09	Z-Vent Termination Box 9 in
10	7.00	12.00	2.00	2SVSRTX10	Z-Vent Termination Box 10 in
12	8.25	14.00	2.00	2SVSRTX12	Z-Vent Termination Box 12 in
14	9.25	16.00	2.00	2SVSRTX14	Z-Vent Termination Box 14 in
16	10.25	18.00	2.00	2SVSRTX16	Z-Vent Termination Box 16 in
18	10.50	20.00	2.00	2SVSRTX18	Z-Vent Termination Box 18 in
20	12.00	22.00	2.00	2SVSRTX20	Z-Vent Termination Box 20 in
22	13.00	24.00	2.00	2SVSRTX22	Z-Vent Termination Box 22 in
24	14.00	26.00	2.00	2SVSRTX24	Z-Vent Termination Box 24 in

Z-VENT™ Single Wall

AL 29-4C® Special Gas Vent

45° Termination Elbow

A	Part Number	Description
3	2SVSTEX0345	Z-Vent Termination Elbow 3 in X 45°
4	2SVSTEX0445	Z-Vent Termination Elbow 4 in X 45°

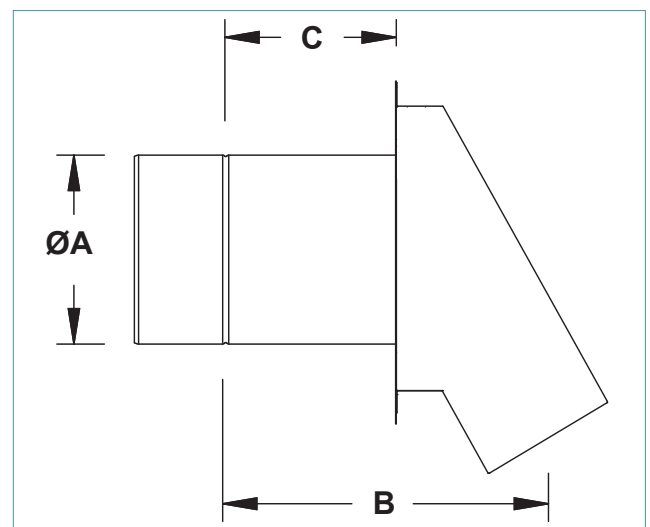


90° Termination Elbow

A	Part Number	Description
3	2SVSTEX0390	Z-Vent Termination Elbow 3 in X 90°
4	2SVSTEX0490	Z-Vent Termination Elbow 4 in X 90°

Termination Hood

A	B	C	Part Number	Description
3	6.75	3.75	2SVSHTX03	Z-Vent Termination Hood 3 in
4	7.125	3.75	2SVSHTX04	Z-Vent Termination Hood 4 in
5	7.375	3.75	2SVSHTX05	Z-Vent Termination Hood 5 in



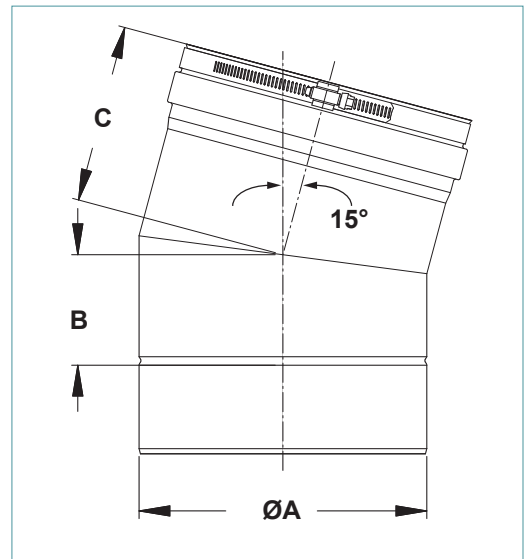
Z-VENT™ Single Wall

AL 29-4C® Special Gas Vent

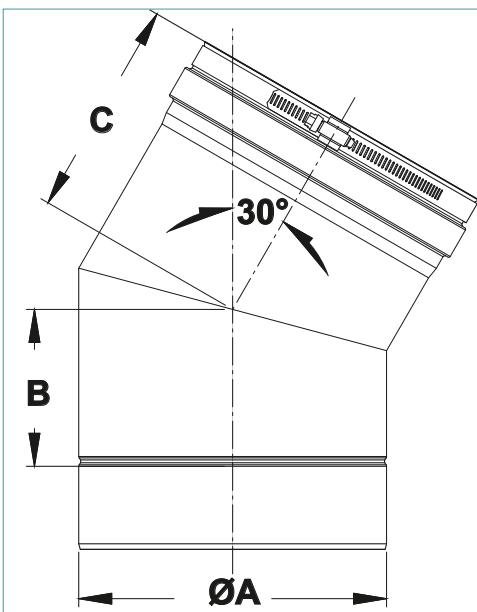
15° Elbows

A	B	C	Part Number	Description
3	2.45	4.20	2SVEEWCF0315	Z-Vent Elbow 15° X 3 in
4	2.51	4.26	2SVEEWCF0415	Z-Vent Elbow 15° X 4 in
5	2.58	4.33	2SVEEWCF0515	Z-Vent Elbow 15° X 5 in
6	2.64	4.39	2SVEE0615	Z-Vent Elbow 15° X 6 in
7	2.71	4.46	2SVEE0715	Z-Vent Elbow 15° X 7 in
8	2.78	4.53	2SVEE0815	Z-Vent Elbow 15° X 8 in
9	2.84	4.59	2SVEE0915	Z-Vent Elbow 15° X 9 in
10	2.91	4.66	2SVEE1015	Z-Vent Elbow 15° X 10 in
12	3.04	4.79	2SVEE1215	Z-Vent Elbow 15° X 12 in
14	3.17	5.92	2SVEE1415	Z-Vent Elbow 15° X 14 in
16	3.30	6.05	2SVEE1615	Z-Vent Elbow 15° X 16 in
18	3.43	6.18	2SVEE1815	Z-Vent Elbow 15° X 18 in
20	3.57	6.32	2SVEE2015	Z-Vent Elbow 15° X 20 in
22	3.70	6.45	2SVEE2215	Z-Vent Elbow 15° X 22 in
24	3.83	6.58	2SVEE2415	Z-Vent Elbow 15° X 24 in

15° elbows are used when a direction change or offset is required.



30° elbows are used when a direction change or offset is required.



30° Elbows

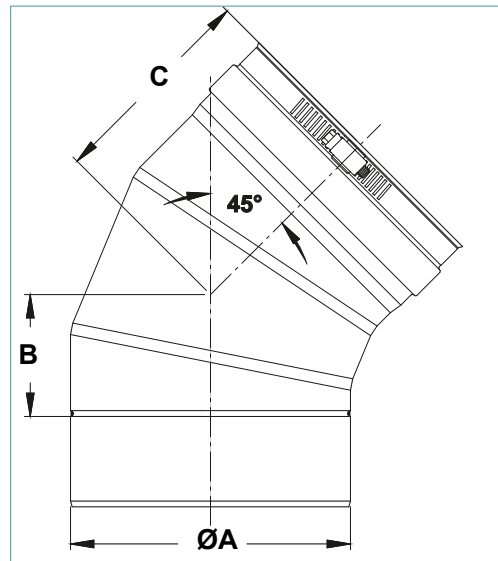
A	B	C	Part Number	Description
3	2.65	4.40	2SVEEWCF0330	Z-Vent Elbow 30° X 3 in
4	2.79	4.54	2SVEEWCF0430	Z-Vent Elbow 30° X 4 in
5	2.92	4.67	2SVEEWCF0530	Z-Vent Elbow 30° X 5 in
6	3.05	4.80	2SVEE0630	Z-Vent Elbow 30° X 6 in
7	3.19	4.94	2SVEE0730	Z-Vent Elbow 30° X 7 in
8	3.32	5.07	2SVEE0830	Z-Vent Elbow 30° X 8 in
9	3.46	5.21	2SVEE0930	Z-Vent Elbow 30° X 9 in
10	3.59	5.35	2SVEE1030	Z-Vent Elbow 30° X 10 in
12	3.86	5.61	2SVEE1230	Z-Vent Elbow 30° X 12 in
14	4.38	6.88	2SVEE1430	Z-Vent Elbow 30° X 14 in
16	4.64	7.14	2SVEE1630	Z-Vent Elbow 30° X 16 in
18	4.91	7.41	2SVEE1830	Z-Vent Elbow 30° X 18 in
20	5.18	7.68	2SVEE2030	Z-Vent Elbow 30° X 20 in
22	5.45	7.95	2SVEE2230	Z-Vent Elbow 30° X 22 in
24	5.72	8.22	2SVEE2430	Z-Vent Elbow 30° X 24 in

Z-VENT™ Single Wall AL 29-4C® Special Gas Vent

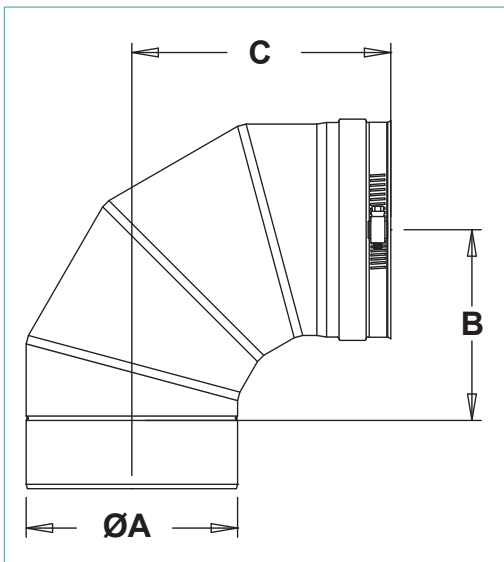
45° Elbows

A	B	C	Part Number	Description
3	1.62	3.37	2SVEEWCF0345	Z-Vent Elbow 45° X 3 in
4	1.83	3.58	2SVEEWCF0445	Z-Vent Elbow 45° X 4 in
5	4.16	5.91	2SVEEWCF0545	Z-Vent Elbow 45° X 5 in
6	4.37	6.12	2SVEE0645	Z-Vent Elbow 45° X 6 in
7	4.58	6.33	2SVEE0745	Z-Vent Elbow 45° X 7 in
8	4.79	6.54	2SVEE0845	Z-Vent Elbow 45° X 8 in
9	5.00	6.75	2SVEE0945	Z-Vent Elbow 45° X 9 in
10	5.20	6.96	2SVEE1045	Z-Vent Elbow 45° X 10 in
12	5.61	7.36	2SVEE1245	Z-Vent Elbow 45° X 12 in
14	6.03	8.78	2SVEE1445	Z-Vent Elbow 45° X 14 in
16	6.44	9.19	2SVEE1645	Z-Vent Elbow 45° X 16 in
18	6.86	9.61	2SVEE1845	Z-Vent Elbow 45° X 18 in
20	7.27	10.02	2SVEE2045	Z-Vent Elbow 45° X 20 in
22	7.69	10.44	2SVEE2245	Z-Vent Elbow 45° X 22 in
24	8.10	10.85	2SVEE2445	Z-Vent Elbow 45° X 24 in

45° elbows are used when a direction change or offset is required.



90° elbows are used when a direction change or offset is required.



90° Elbows

A	B	C	Part Number	Description
3	4.72	6.18	2SVEEWCF0390	Z-Vent Elbow 90° X 3 in
4	5.22	6.66	2SVEEWCF0490	Z-Vent Elbow 90° X 4 in
5	6.63	8.32	2SVEEWCF0590	Z-Vent Elbow 90° X 5 in
6	7.50	9.28	2SVEE0690	Z-Vent Elbow 90° X 6 in
7	8.28	9.84	2SVEE0790	Z-Vent Elbow 90° X 7 in
8	8.13	9.85	2SVEE0890	Z-Vent Elbow 90° X 8 in
9	9.30	10.88	2SVEE0990	Z-Vent Elbow 90° X 9 in
10	9.50	11.20	2SVEE1090	Z-Vent Elbow 90° X 10 in
12	10.50	12.20	2SVEE1290	Z-Vent Elbow 90° X 12 in
14	11.15	12.75	2SVEE1490	Z-Vent Elbow 90° X 14 in
16	12.00	14.53	2SVEE1690	Z-Vent Elbow 90° X 16 in
18	13.00	15.58	2SVEE1890	Z-Vent Elbow 90° X 18 in
20	14.50	17.00	2SVEE2090	Z-Vent Elbow 90° X 20 in
22	16.00	19.00	2SVEE2290	Z-Vent Elbow 90° X 22 in
24	18.66	21.20	2SVEE2490	Z-Vent Elbow 90° X 24 in

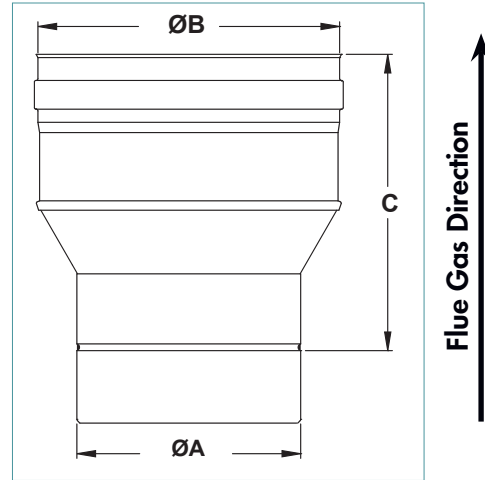
Z-VENT™ Single Wall

AL 29-4C® Special Gas Vent

Increaser

A	B	C	Part Number	Description
3	4	7.00	2SVSI0304	Z-Vent Increaser 3 to 4in
3	5	8.15	2SVSI0305	Z-Vent Increaser 3 to 5 in
4	5	7.00	2SVSI0405	Z-Vent Increaser 4 to 5in
4	6	8.15	2SVSI0406	Z-Vent Increaser 4 to 6 in
4	8	10.30	2SVSI0408	Z-Vent Increaser 4 to 8in
5	6	7.00	2SVSI0506	Z-Vent Increaser 5 to 6 in
5	7	8.15	2SVSI0507	Z-Vent Increaser 5 to 7in
5	8	9.20	2SVSI0508	Z-Vent Increaser 5 to 8 in
5	9	10.30	2SVSI0509	Z-Vent Increaser 5 to 9in
5	6	7.00	2SVSI0506	Z-Vent Increaser 5 to 6 in
5	7	8.15	2SVSI0507	Z-Vent Increaser 5 to 7in
5	8	9.20	2SVSI0508	Z-Vent Increaser 5 to 8 in
5	9	10.30	2SVSI0509	Z-Vent Increaser 5 to 9in
6	7	7.00	2SVSI0607	Z-Vent Increaser 6 to 7 in
6	8	8.15	2SVSI0608	Z-Vent Increaser 6 to 8in
6	9	9.20	2SVSI0609	Z-Vent Increaser 6 to 9 in
6	10	10.30	2SVSI0610	Z-Vent Increaser 6 to 10in
7	8	7.00	2SVSI0708	Z-Vent Increaser 7 to 8 in
7	9	8.15	2SVSI0709	Z-Vent Increaser 7 to 9in
7	10	9.20	2SVSI0710	Z-Vent Increaser 7 to 10 in
7	12	11.36	2SVSI0712	Z-Vent Increaser 7 to 12in
8	10	8.15	2SVSI0810	Z-Vent Increaser 8 to 10 in
8	12	10.30	2SVSI0812	Z-Vent Increaser 8 to 12in
8	14	12.43	2SVSI0814	Z-Vent Increaser 8 to 14 in
9	10	7.00	2SVSI0910	Z-Vent Increaser 9 to 10in
9	12	9.20	2SVSI0912	Z-Vent Increaser 9 to 12 in
10	12	8.15	2SVSI1012	Z-Vent Increaser 10 to 12in
10	14	11.30	2SVSI1014	Z-Vent Increaser 10 to 14 in
10	16	13.43	2SVSI1016	Z-Vent Increaser 10 to 16in
12	14	9.15	2SVSI1214	Z-Vent Increaser 12 to 14 in
12	16	11.30	2SVSI1216	Z-Vent Increaser 12 to 16in
12	18	13.43	2SVSI1218	Z-Vent Increaser 12 to 18 in
14	16	9.15	2SVSI1416	Z-Vent Increaser 14 to 16in
14	18	11.30	2SVSI1418	Z-Vent Increaser 14 to 18 in
14	20	13.43	2SVSI1420	Z-Vent Increaser 14 to 20in
16	18	9.15	2SVSI1618	Z-Vent Increaser 16 to 18 in
16	20	11.30	2SVSI1620	Z-Vent Increaser 16 to 20in
16	22	13.43	2SVSI1622	Z-Vent Increaser 16 to 22 in
18	20	9.15	2SVSI1820	Z-Vent Increaser 18 to 20in
18	22	11.30	2SVSI1822	Z-Vent Increaser 18 to 22 in
18	24	13.43	2SVSI1824	Z-Vent Increaser 18 to 24in
20	22	9.15	2SVSI2022	Z-Vent Increaser 20 to 22 in
20	24	11.30	2SVSI2024	Z-Vent Increaser 20 to 24in
22	24	9.15	2SVSI2224	Z-Vent Increaser 22 to 24 in

Used to upsize a vent system.



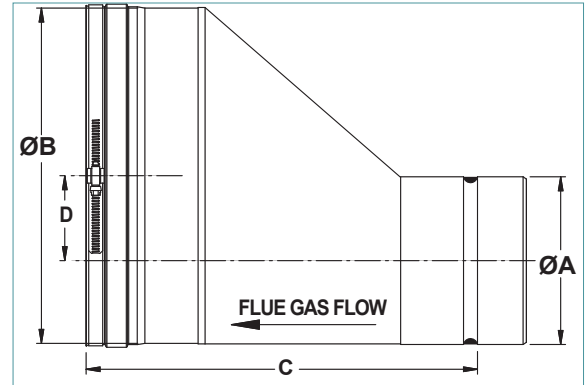
Recommended for use with vertical vent runs.

Z-VENT™ Single Wall AL 29-4C® Special Gas Vent

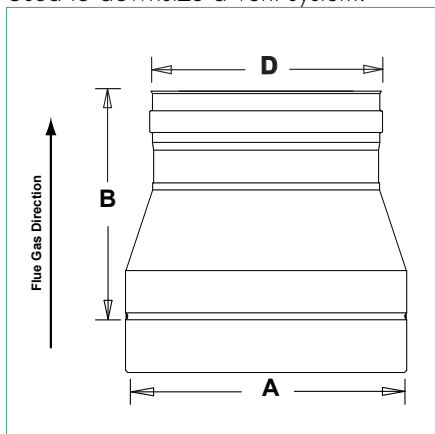
Eccentric Increaser

A	B	C	D	Part Number	Description
5	6	12.00	0.50	2SVSIE0506	Z-Vent Eccentric Increaser 5 to 6 in
5	7	12.00	1.00	2SVSIE0507	Z-Vent Eccentric Increaser 5 to 7in
5	8	14.00	2.00	2SVSIE0508	Z-Vent Eccentric Increaser 5 to 8 in
6	7	12.00	0.50	2SVSIE0607	Z-Vent Eccentric Increaser 6 to 7 in
6	8	12.00	1.00	2SVSIE0608	Z-Vent Eccentric Increaser 6 to 8in
6	9	14.00	1.50	2SVSIE0609	Z-Vent Eccentric Increaser 6 to 9 in
6	10	14.00	2.00	2SVSIE0610	Z-Vent Eccentric Increaser 6 to 10 in
6	12	14.00	3.00	2SVSIE0612	Z-Vent Eccentric Increaser 6 to 12in
7	8	12.00	0.50	2SVSIE0708	Z-Vent Eccentric Increaser 7 to 8 in
7	10	12.00	1.50	2SVSIE0710	Z-Vent Eccentric Increaser 7 to 10in
7	12	14.00	2.50	2SVSIE0712	Z-Vent Eccentric Increaser 7 to 12 in
8	10	12.00	1.00	2SVSIE0810	Z-Vent Eccentric Increaser 7 to 12in
8	12	12.00	2.00	2SVSIE0812	Z-Vent Eccentric Increaser 8 to 10 in
8	14	14.00	3.00	2SVSIE0814	Z-Vent Eccentric Increaser 8 to 12in
9	10	12.00	0.50	2SVSIE0910	Z-Vent Eccentric Increaser 9 to 10 in
9	12	12.00	1.50	2SVSIE0912	Z-Vent Eccentric Increaser 9 to 12in
10	12	12.00	1.00	2SVSIE1012	Z-Vent Eccentric Increaser 10 to 12 in
10	14	13.00	2.00	2SVSIE1014	Z-Vent Eccentric Increaser 10 to 14in
10	16	14.00	3.00	2SVSIE1016	Z-Vent Eccentric Increaser 10 to 16 in
12	14	15.00	1.00	2SVSIE1214	Z-Vent Eccentric Increaser 12 to 14in
12	16	15.00	2.00	2SVSIE1216	Z-Vent Eccentric Increaser 12 to 16 in
12	18	15.00	3.00	2SVSIE1218	Z-Vent Eccentric Increaser 12 to 18in
14	16	15.00	1.00	2SVSIE1416	Z-Vent Eccentric Increaser 14 to 16 in
14	18	15.00	2.00	2SVSIE1418	Z-Vent Eccentric Increaser 14 to 18in
14	20	15.00	3.00	2SVSIE1420	Z-Vent Eccentric Increaser 14 to 20 in
16	18	15.00	1.00	2SVSIE1618	Z-Vent Eccentric Increaser 16 to 18in
16	20	15.00	2.00	2SVSIE1620	Z-Vent Eccentric Increaser 16 to 20 in
16	22	15.00	3.00	2SVSIE1622	Z-Vent Eccentric Increaser 16 to 22in
18	20	15.00	1.00	2SVSIE1820	Z-Vent Eccentric Increaser 18 to 20 in
18	22	15.00	2.00	2SVSIE1822	Z-Vent Eccentric Increaser 18 to 22 in
18	24	15.00	3.00	2SVSIE1824	Z-Vent Eccentric Increaser 18 to 24 in
20	22	15.00	1.00	2SVSIE2022	Z-Vent Eccentric Increaser 20 to 22 in
20	24	15.00	2.00	2SVSIE2024	Z-Vent Eccentric Increaser 20 to 24 in
22	24	15.00	1.00	2SVSIE2224	Z-Vent Eccentric Increaser 22 to 24 in

Used to upsize a vent system. Recommended for use with horizontal vent runs.



Used to downsize a vent system.



Reducer

A	B	C	D	Part Number	Description
12	8	10	10,8,7	2SVSRO(A)O(B)	Z-Vent Reducer(A)to(B)
10	8	10	8,7,6	2SVSRO(A)O(B)	Z-Vent Reducer(A)to(B)
8	8	10	7,6,5	2SVSRO(A)O(B)	Z-Vent Reducer(A)to(B)
7	8	10	6,5,4	2SVSRO(A)O(B)	Z-Vent Reducer(A)to(B)
6	8	10	5,4,3	2SVSRO(A)O(B)	Z-Vent Reducer(A)to(B)
5	8	10	4,3	2SVSRO(A)O(B)	Z-Vent Reducer(A)to(B)
4	8	10	3	2SVSRO(A)O(B)	Z-Vent Reducer(A)to(B)

Recommended for use with vertical vent runs.

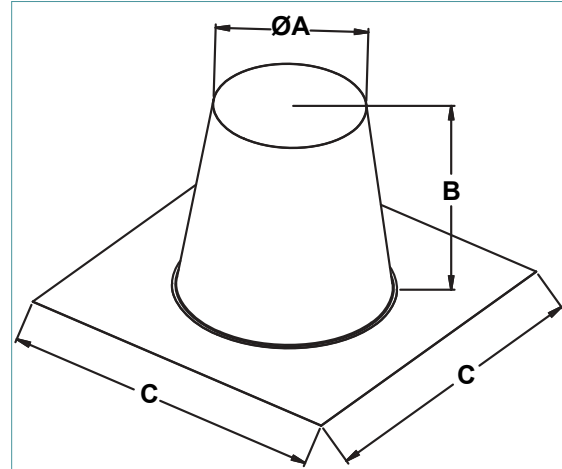
Z-VENT™ Single Wall

AL 29-4C® Special Gas Vent

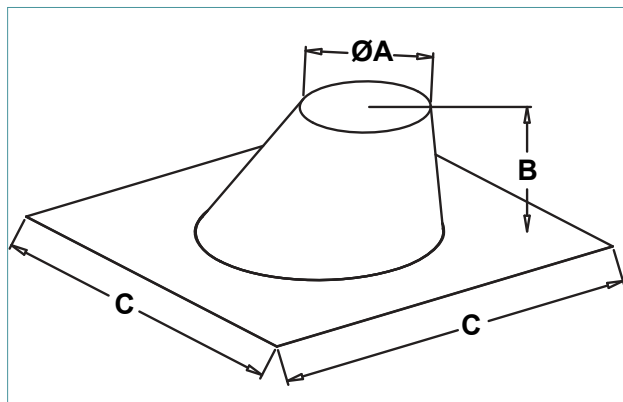
Flashing Flat

A	B	C	Part Number	Description
3	12	12.50	2SVSSCF03	Z-Vent Flashing Flat 3 in
4	12	14.00	2SVSSCF04	Z-Vent Flashing Flat 4 in
5	12	16.00	2SVSF05	Z-Vent Flashing Flat 5 in
6	12	17.00	2SVSF06	Z-Vent Flashing Flat 6 in
7	12	18.50	2SVSF07	Z-Vent Flashing Flat 7 in
8	12	22.00	2SVSF08	Z-Vent Flashing Flat 8 in
9	12	22.00	2SVSF09	Z-Vent Flashing Flat 9 in
10	12	23.00	2SVSF10	Z-Vent Flashing Flat 10 in
12	12	26.00	2SVSF12	Z-Vent Flashing Flat 12 in
14	12	28.00	2SVSF14	Z-Vent Flashing Flat 14 in
16	12	30.00	2SVSF16	Z-Vent Flashing Flat 16 in
18	12	32.00	2SVSF18	Z-Vent Flashing Flat 18 in
20	12	35.00	2SVSF20	Z-Vent Flashing Flat 20 in
22	12	37.50	2SVSF22	Z-Vent Flashing Flat 22 in
24	12	41.00	2SVSF24	Z-Vent Flashing Flat 24 in

Flat flashing provides weather protection where the vent penetrates the roof or chimney. Use on flat or slightly sloped (5° slope maximum) roofs.



0-30° flashing provides weather protection where the vent penetrates the roof. Use on roofs with a pitch from 5-30°- 0/12-5/12 slope.

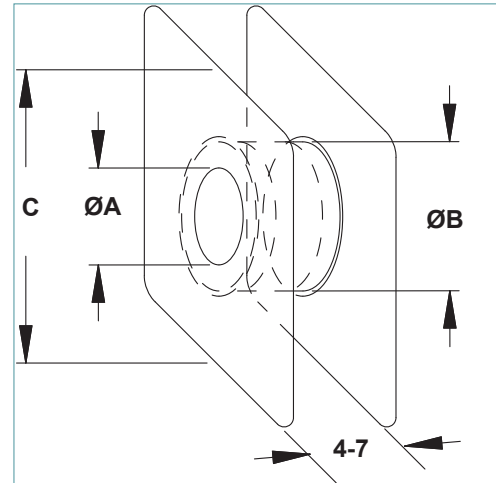


Flashing 0-30°

A	B	C	Part Number	Description
3	6	16.00	2SVSADJ03	Z-Vent Flashing 0-30° 3 in
4	6	16.00	2SVSADJ04	Z-Vent Flashing 0-30° 4 in
5	6	16.00	2SVSFA05	Z-Vent Flashing 0-30° 5 in
6	6	20.00	2SVSFA06	Z-Vent Flashing 0-30° 6 in
7	6	24.00	2SVSFA07	Z-Vent Flashing 0-30° 7 in
8	6	24.00	2SVSFA08	Z-Vent Flashing 0-30° 8 in
9	6	25.00	2SVSFA09	Z-Vent Flashing 0-30° 9 in
10	6	26.00	2SVSFA10	Z-Vent Flashing 0-30° 10 in
12	6	26.00	2SVSFA12	Z-Vent Flashing 0-30° 12 in
14	6	27.38	2SVSFA14	Z-Vent Flashing 0-30° 14 in
16	6	30.00	2SVSFA16	Z-Vent Flashing 0-30° 16 in
18	6	32.00	2SVSFA18	Z-Vent Flashing 0-30° 18 in
20	6	35.00	2SVSFA20	Z-Vent Flashing 0-30° 20 in
22	6	37.50	2SVSFA22	Z-Vent Flashing 0-30° 22 in
24	6	39.00	2SVSFA24	Z-Vent Flashing 0-30° 24 in

Z-VENT™ Single Wall AL 29-4C® Special Gas Vent

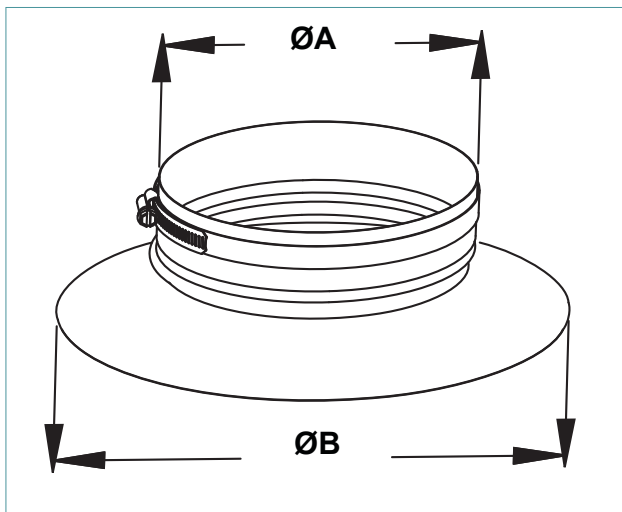
For use when the vent passes through a horizontal opening. Not required for non-combustible walls.



Wall Thimble

A	B	C	Part Number	Description
3	5.00	10.00	2SVSWTF03	Z-Vent Wall Thimble 3 in
4	6.00	10.00	2SVSWTF04	Z-Vent Wall Thimble 4 in
5	7.00	12.00	2SVSWTF05	Z-Vent Wall Thimble 5 in
6	18.00	24.00	2SVSWTF06	Z-Vent Wall Thimble 6 in
7	19.00	24.00	2SVSWTF07	Z-Vent Wall Thimble 7 in
8	20.00	26.00	2SVSWTF08	Z-Vent Wall Thimble 8 in
9	21.00	26.00	2SVSWT09	Z-Vent Wall Thimble 9 in
10	22.00	28.00	2SVSWT10	Z-Vent Wall Thimble 10 in
12	24.00	30.00	2SVSWT12	Z-Vent Wall Thimble 12 in
14	26.00	33.00	2SVSWT14	Z-Vent Wall Thimble 14 in
16	28.00	36.00	2SVSWT16	Z-Vent Wall Thimble 16 in
18	30.00	38.00	2SVSWT18	Z-Vent Wall Thimble 18 in
20	32.00	38.00	2SVSWT20	Z-Vent Wall Thimble 20 in
22	34.00	42.00	2SVSWT22	Z-Vent Wall Thimble 22 in
24	36.00	42.00	2SVSWT24	Z-Vent Wall Thimble 24 in

For use in conjunction with flashing to provide weather protection.



Storm Collar

A	B	Part Number	Description
3	7.00	2SVSLSF03	Z-Vent Storm Collar 3 in
4	8.00	2SVSLSF04	Z-Vent Storm Collar 4 in
5	9.00	2SVSLS05	Z-Vent Storm Collar 5 in
6	10.00	2SVSLS06	Z-Vent Storm Collar 6 in
7	11.00	2SVSLS07	Z-Vent Storm Collar 7 in
8	12.00	2SVSLS08	Z-Vent Storm Collar 8 in
9	13.00	2SVSLS09	Z-Vent Storm Collar 9 in
10	14.00	2SVSLS10	Z-Vent Storm Collar 10 in
12	16.00	2SVSLS12	Z-Vent Storm Collar 12 in
14	18.00	2SVSLS14	Z-Vent Storm Collar 14 in
16	20.00	2SVSLS16	Z-Vent Storm Collar 16 in
18	22.00	2SVSLS18	Z-Vent Storm Collar 18 in
20	24.00	2SVSLS20	Z-Vent Storm Collar 20 in
22	26.00	2SVSLS22	Z-Vent Storm Collar 22 in
24	28.00	2SVSLS24	Z-Vent Storm Collar 24 in

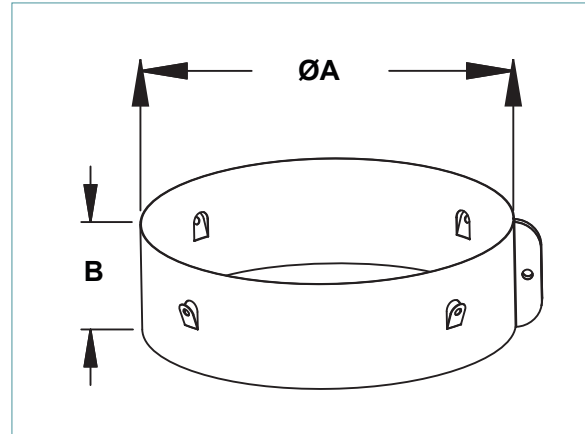
Z-VENT™ Single Wall

AL 29-4C® Special Gas Vent

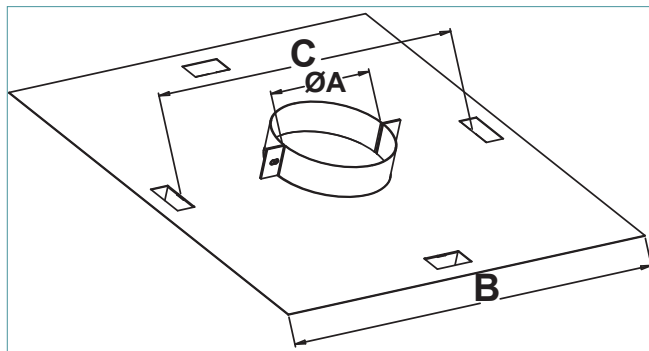
Guy Band

A	B	Part Number	Description
3	3.00	2SVSGB03	Z-Vent Guy Band 3 in
4	3.00	2SVSGB04	Z-Vent Guy Band 4 in
5	3.00	2SVSGB05	Z-Vent Guy Band 5 in
6	3.00	2SVSGB06	Z-Vent Guy Band 6 in
7	3.00	2SVSGB07	Z-Vent Guy Band 7 in
8	3.00	2SVSGB08	Z-Vent Guy Band 8 in
9	3.00	2SVSGB09	Z-Vent Guy Band 9 in
10	3.00	2SVSGB10	Z-Vent Guy Band 10 in
12	3.00	2SVSGB12	Z-Vent Guy Band 12 in
14	3.00	2SVSGB14	Z-Vent Guy Band 14 in
16	3.00	2SVSGB16	Z-Vent Guy Band 16 in
18	3.00	2SVSGB18	Z-Vent Guy Band 18 in
20	3.00	2SVSGB20	Z-Vent Guy Band 20 in
22	3.00	2SVSGB22	Z-Vent Guy Band 22 in
24	3.00	2SVSGB24	Z-Vent Guy Band 24 in

A guy band is used to stabilize the vent above the roof line or where a vent support can not be used. Secure with 4 guy wires (not included).



A fire stop is used on vertical systems to provide support and maintain the necessary clearance to combustible materials. (For sizes 5" and up gear clamp comes loose with no gear clamp bracket.)



Firestop Support

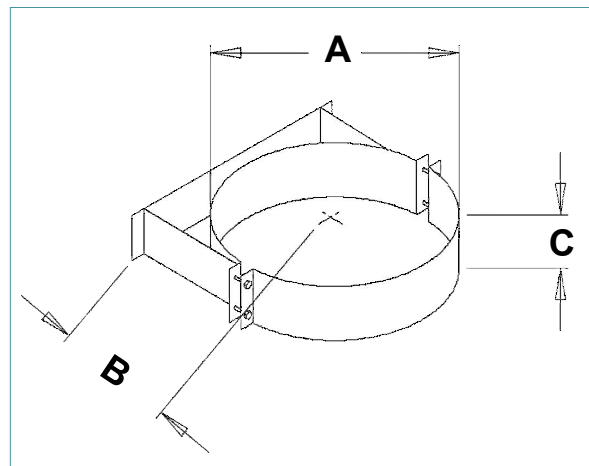
A	B	C	Part Number	Description
3	19	15	2SVSFSS03	Z-Vent Fire Stop Support 3in
4	20	16	2SVSFSS04	Z-Vent Fire Stop Support 4in
5	21	17	2SVSFSS05	Z-Vent Fire Stop Support 5in
6	22	18	2SVSFSS06	Z-Vent Fire Stop Support 6in
7	23	19	2SVSFSS07	Z-Vent Fire Stop Support 7in
8	24	20	2SVSFSS08	Z-Vent Fire Stop Support 8in
10	26	22	2SVSFSS10	Z-Vent Fire Stop Support 10in
12	28	24	2SVSFSS12	Z-Vent Fire Stop Support 12in
14	30	26	2SVSFSS14	Z-Vent Fire Stop Support 14in
16	32	28	2SVSFSS16	Z-Vent Fire Stop Support 16in
18	34	30	2SVSFSS18	Z-Vent Fire Stop Support 18in
20	36	32	2SVSFSS20	Z-Vent Fire Stop Support 20in
22	38	34	2SVSFSS22	Z-Vent Fire Stop Support 22in
24	40	36	2SVSFSS24	Z-Vent Fire Stop Support 24in

Z-VENT™ Single Wall AL 29-4C® Special Gas Vent

Vent Support

A	B	C	Part Number	Description
3	2.5	3	2SVSWS03	Z-Vent Single Wall Support 3in
4	3.0	3	2SVSWS04	Z-Vent Single Wall Support 4in
5	4.5	3	2SVSWS05	Z-Vent Single Wall Support 5in
6	5	3	2SVSWS06	Z-Vent Single Wall Support 6in
7	5.5	3	2SVSWS07	Z-Vent Single Wall Support 7in
8	6	3	2SVSWS08	Z-Vent Single Wall Support 8in
10	7	3	2SVSWS10	Z-Vent Single Wall Support 10in
12	8	3	2SVSWS12	Z-Vent Single Wall Support 12in
14	9	3	2SVSWS14	Z-Vent Single Wall Support 14in
16	10	3	2SVSWS16	Z-Vent Single Wall Support 16in
18	11	3	2SVSWS18	Z-Vent Single Wall Support 18in
20	12	3	2SVSWS20	Z-Vent Single Wall Support 20in
22	13	3	2SVSWS22	Z-Vent Single Wall Support 22in
24	14	3	2SVSWS24	Z-Vent Single Wall Support 24in

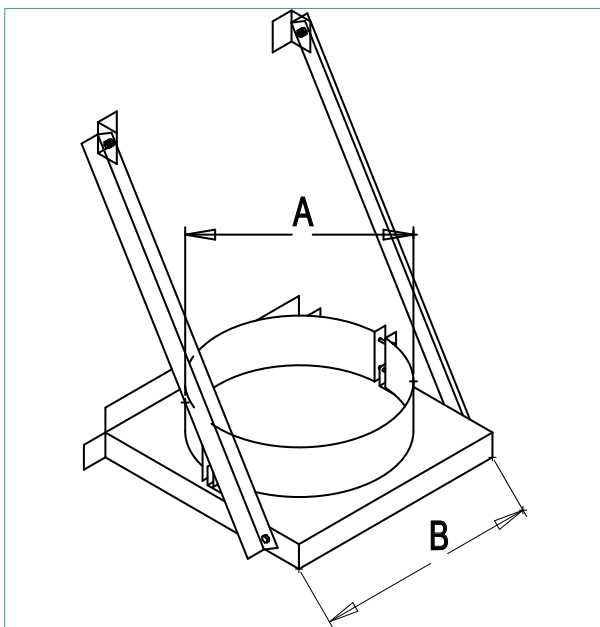
Vent supports are used to provide support to the vent system while maintaining proper clearance to combustible materials. As vertical supports are required after any 10ft run. These supports may also be used to support long horizontal runs, which require support every 6ft. Can be used on horizontal and vertical runs.



Base supports are designed to support the vent base and maintain proper clearance to combustibles.

Base Support

A	B	Part Number	Description
3	8.00	2SVSBS03	Z-Vent Base Support 3 in
4	9.00	2SVSBS04	Z-Vent Base Support 4 in
5	10.00	2SVSBS05	Z-Vent Base Support 5 in
6	11.00	2SVSBS06	Z-Vent Base Support 6 in
7	12.00	2SVSBS07	Z-Vent Base Support 7 in
8	13.00	2SVSBS08	Z-Vent Base Support 8 in
10	15.00	2SVSBS09	Z-Vent Base Support 10 in
12	17.00	2SVSBS10	Z-Vent Base Support 12 in
14	19.00	2SVSBS12	Z-Vent Base Support 14 in
16	21.00	2SVSBS14	Z-Vent Base Support 16 in
18	23.00	2SVSBS16	Z-Vent Base Support 18 in
20	25.00	2SVSBS18	Z-Vent Base Support 20 in
22	27.00	2SVSBS20	Z-Vent Base Support 22 in
24	29.00	2SVSBS22	Z-Vent Base Support 24 in



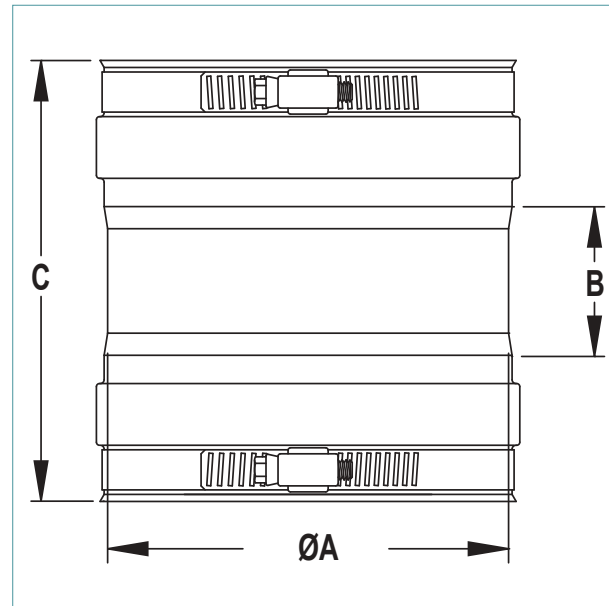
Z-VENT™ Single Wall

AL 29-4C® Special Gas Vent

Adapter 6in (Double Female)

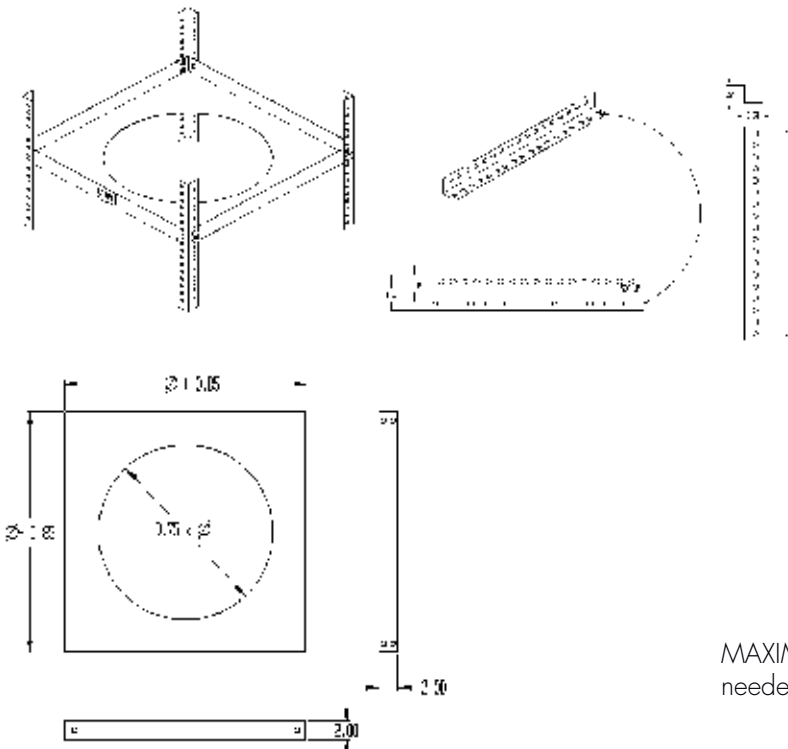
A	B	C	Part Number	Description								
3	2.00	5.50	2SVSNA03.5	Z-Vent Appliance Adaptor 3 in								
4	2.00	5.50	2SVSNA04.5	Z-Vent Appliance Adaptor 4 in								
5	2.00	5.50	2SVSA05	Z-Vent Appliance Adaptor 5 in								
6	2.00	5.50	2SVSA06	Z-Vent Appliance Adaptor 6 in								
7	2.00	5.50	2SVSA07	Z-Vent Appliance Adaptor 7 in								
8	2.00	5.50	2SVSA08	Z-Vent Appliance Adaptor 8 in								
9	2.00	5.50	2SVSA09	Z-Vent Appliance Adaptor 9 in								
10	2.00	5.50	2SVSA10	Z-Vent Appliance Adaptor 10 in								
12	2.00	5.50	2SVSA12	Z-Vent Appliance Adaptor 12 in								
14	2.00	6.50	2SVSA14	Z-Vent Appliance Adaptor 14 in								
16	2.00	6.50	2SVSA16	Z-Vent Appliance Adaptor 16 in								
18	2.00	6.50	2SVSA18	Z-Vent Appliance Adaptor 18 in								
20	2.00	6.50 </tr <tr> <td>22</td> <td>2.00</td> <td>6.50</td> <td>2SVSA22</td> <td>Z-Vent Appliance Adaptor 22 in</td> </tr> <tr> <td>24</td> <td>2.00</td> <td>6.50</td> <td>2SVSA24</td> <td>Z-Vent Appliance Adaptor 24 in</td> </tr>	22	2.00	6.50	2SVSA22	Z-Vent Appliance Adaptor 22 in	24	2.00	6.50	2SVSA24	Z-Vent Appliance Adaptor 24 in
22	2.00	6.50	2SVSA22	Z-Vent Appliance Adaptor 22 in								
24	2.00	6.50	2SVSA24	Z-Vent Appliance Adaptor 24 in								

Adapts appliance collar to the Z-VENT™ pipe.



Floor Base Support

Part Number	Description
2SVSFBS05	ZV Floor Base Support DW 3 SW 5IN
2SVSFBS06	ZV Floor Base Support DW 4 SW 6IN
2SVSFBS07	ZV Floor Base Support DW 5 SW 7IN
2SVSFBS08	ZV Floor Base Support DW 6 SW 8IN
2SVSFBS09	ZV Floor Base Support DW 7 SW 9IN
2SVSFBS10	ZV Floor Base Support DW 8 SW 10IN
2SVSFBS12	ZV Floor Base Support DW 10 SW 12IN
2SVSFBS14	ZV Floor Base Support DW 12 SW 14IN
2SVSFBS16	ZV Floor Base Support DW 14 SW 16IN
2SVSFBS18	ZV Floor Base Support DW 16 SW 18IN
2SVSFBS20	ZV Floor Base Support DW 18 SW 20IN
2SVSFBS22	ZV Floor Base Support DW 20 SW 22IN
2SVSFBS24	ZV Floor Base Support DW 22 SW 24IN
2SVSFBS26	ZV Floor Base Support DW 24IN



MAXIMUM height is 16 inches (installer can extend on-site if needed). MINIMUM 6 inches (allowance for P-Trap tube)

Z-VENT™ Single Wall

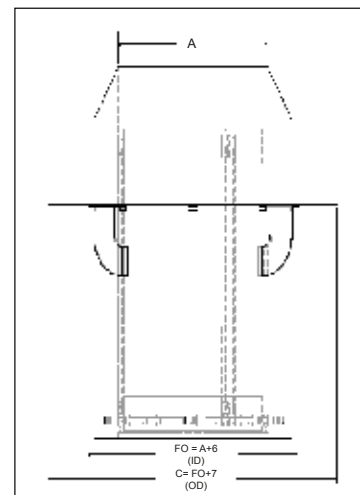
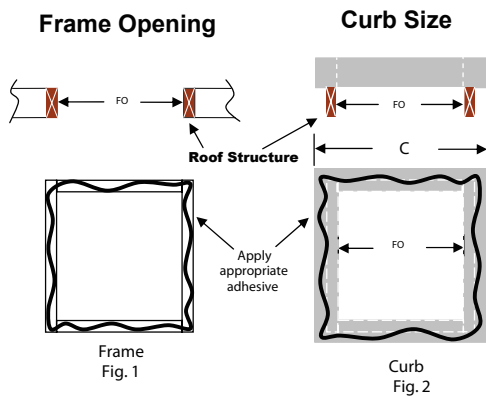
AL 29-4C® Special Gas Vent

Roof Jack Support System

NOTICE The Z-Vent™ Roof Jack Support System, shall be used on all through the roof terminations for single or double wall (14 inch through 24 inch) venting systems with combustible or non combustible roof structures.

➔ Prepare the breach location of the roof that will accept the Z-Vent™ Jack Support System, by drilling a small hole marking the center of the vent termination. Refer to the framing chart below for opening dimensions.

Framing Chart of Z-Vent™ Single Wall and Double Wall				
Roof Opening Frame Dimensions (in)				Roof Curb Dimensions (in)
Part ID		Vent Ø (in)	Opening	OD/ID
Single Wall	Double Wall	A	FO	C/FO
2SVSRJ05	2SVDRJ05	5	11 x 11	18 x 18 / 11 x 11
2SVSRJ06	2SVDRJ06	6	12 x 12	19 x 19 / 12 x 12
2SVSRJ07	2SVDRJ07	7	13 x 13	20 x 20 / 13 x 13
2SVSRJ08	2SVDRJ08	8	14 x 14	21 x 21 / 14 x 14
2SVSRJ09	2SVDRJ09	9	15 x 15	22 x 22 / 15 x 15
2SVSRJ10	2SVDRJ10	10	16 x 16	23 x 23 / 16 x 16
2SVSRJ12	2SVDRJ12	12	18 x 18	25 x 25 / 18 x 18
2SVSRJ14	2SVDRJ14	14	20 x 20	27 x 27 / 20 x 20
2SVSRJ16	2SVDRJ16	16	22 x 22	29 x 29 / 22 x 22
2SVSRJ18	2SVDRJ18	18	24 x 24	31 x 31 / 24 x 24
2SVSRJ20	2SVDRJ20	20	26 x 26	33 x 33 / 26 x 26
2SVSRJ22	2SVDRJ22	22	28 x 28	35 x 35 / 28 x 28
2SVSRJ24	2SVDRJ24	24	30 x 30	37 x 37 / 30 x 30

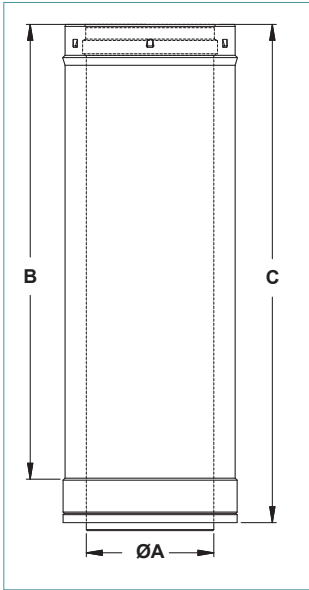


Z-VENT™ Double Wall

AL 29-4C® Special Gas Vent

Double Wall Pipe

Available in diameters 3in to 24in. The female end of each Z-VENT™ component incorporates a *Double Fail Safe™ self sealing gasket*. Examine all components to ensure that gasket integrity has remained during shipping. Gaskets must be in proper position or flue gases could leak resulting in carbon monoxide poisoning. The installation shall be in accordance with the manufacturer's installation instructions.



A	B	C	Part Number	Description	
3in	3.75	5.75	2SVDP03.5	Z-Vent Pipe	3in x 6in
	9.75	11.75	2SVDP0301	Z-Vent Pipe	3in x 1 ft
	15.75	17.75	2SVDP0301.5	Z-Vent Pipe	3in x 1.5ft
	21.75	23.75	2SVDP0302	Z-Vent Pipe	3in x 2ft
	33.75	35.75	2SVDP0303	Z-Vent Pipe	3in x 3ft
4in	45.75	47.75	2SVDP0304	Z-Vent Pipe	3in x 4ft
	3.75	5.75	2SVDP04.5	Z-Vent Pipe	4in x 6in
	9.75	11.75	2SVDP0401	Z-Vent Pipe	4in x 1 ft
	15.75	17.75	2SVDP0401.5	Z-Vent Pipe	4in x 1.5ft
	21.75	23.75	2SVDP0402	Z-Vent Pipe	4in x 2ft
5in	33.75	35.75	2SVDP0403	Z-Vent Pipe	4in x 3ft
	45.75	47.75	2SVDP0404	Z-Vent Pipe	4in x 4ft
	3.75	5.75	2SVDP05.5	Z-Vent Pipe	5in x 6in
	9.75	11.75	2SVDP0501	Z-Vent Pipe	5in x 1 ft
	15.75	17.75	2SVDP0501.5	Z-Vent Pipe	5in x 1.5ft
6in	21.75	23.75	2SVDP0502	Z-Vent Pipe	5in x 2ft
	33.75	35.75	2SVDP0503	Z-Vent Pipe	5in x 3ft
	45.75	47.75	2SVDP0504	Z-Vent Pipe	5in x 4ft
	3.75	5.75	2SVDP06.5	Z-Vent Pipe	6in x 6in
	9.75	11.75	2SVDP0601	Z-Vent Pipe	6in x 1 ft
7in	15.75	17.75	2SVDP0601.5	Z-Vent Pipe	6in x 1.5ft
	21.75	23.75	2SVDP0602	Z-Vent Pipe	6in x 2ft
	33.75	35.75	2SVDP0603	Z-Vent Pipe	6in x 3ft
	45.75	47.75	2SVDP0604	Z-Vent Pipe	6in x 4ft
	3.75	5.75	2SVDP07.5	Z-Vent Pipe	7in x 6in
8in	9.75	11.75	2SVDP0701	Z-Vent Pipe	7in x 1 ft
	15.75	17.75	2SVDP0701.5	Z-Vent Pipe	7in x 1.5ft
	21.75	23.75	2SVDP0702	Z-Vent Pipe	7in x 2ft
	33.75	35.75	2SVDP0703	Z-Vent Pipe	7in x 3ft
	45.75	47.75	2SVDP0704	Z-Vent Pipe	7in x 4ft
9in	3.75	5.75	2SVDP08.5	Z-Vent Pipe	8in x 6in
	9.75	11.75	2SVDP0801	Z-Vent Pipe	8in x 1 ft
	15.75	17.75	2SVDP0801.5	Z-Vent Pipe	8in x 1.5ft
	21.75	23.75	2SVDP0802	Z-Vent Pipe	8in x 2ft
	33.75	35.75	2SVDP0803	Z-Vent Pipe	8in x 3ft
10in	45.75	47.75	2SVDP0804	Z-Vent Pipe	8in x 4ft
	3.75	5.75	2SVDP09.5	Z-Vent Pipe	9in x 6in
	9.75	11.75	2SVDP0901	Z-Vent Pipe	9in x 1 ft
	15.75	17.75	2SVDP0901.5	Z-Vent Pipe	9in x 1.5ft
	21.75	23.75	2SVDP0902	Z-Vent Pipe	9in x 2ft
11in	33.75	35.75	2SVDP0903	Z-Vent Pipe	9in x 3ft
	45.75	47.75	2SVDP0904	Z-Vent Pipe	9in x 4ft

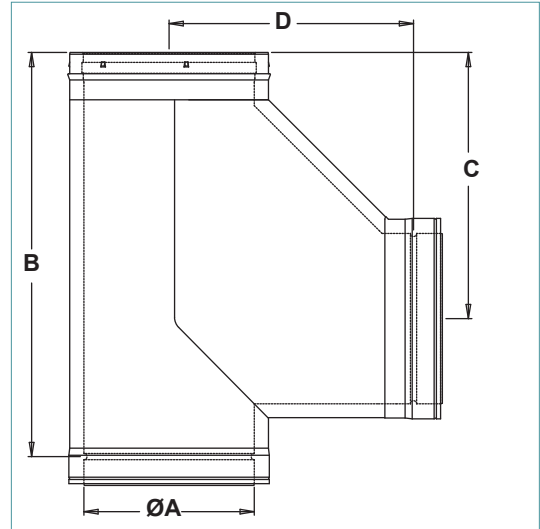
A	B	C	Part Number	Description	
10in	3.75	5.75	2SVDP10.5	Z-Vent Pipe	10in x 6in
	9.75	11.75	2SVDP1001	Z-Vent Pipe	10in x 1 ft
	15.75	17.75	2SVDP1001.5	Z-Vent Pipe	10in x 1.5ft
11in	21.75	23.75	2SVDP1002	Z-Vent Pipe	10in x 2ft
	33.75	35.75	2SVDP1003	Z-Vent Pipe	10in x 3ft
	3.75	5.75	2SVDP12.5	Z-Vent Pipe	12in x 6in
12in	9.75	11.75	2SVDP1201	Z-Vent Pipe	12in x 1 ft
	15.75	17.75	2SVDP1201.5	Z-Vent Pipe	12in x 1.5ft
	21.75	23.75	2SVDP1202	Z-Vent Pipe	12in x 2ft
13in	33.75	35.75	2SVDP1203	Z-Vent Pipe	12in x 3ft
	4.75	7.75	2SVDP14.5	Z-Vent Pipe	14in x 6in
	8.75	11.75	2SVDP1401	Z-Vent Pipe	14in x 1 ft
14in	14.75	17.75	2SVDP1401.5	Z-Vent Pipe	14in x 1.5ft
	20.75	23.75	2SVDP1402	Z-Vent Pipe	14in x 2ft
	32.75	35.75	2SVDP1403	Z-Vent Pipe	14in x 3ft
15in	4.75	7.75	2SVDP16.5	Z-Vent Pipe	16in x 6in
	8.75	11.75	2SVDP1601	Z-Vent Pipe	16in x 1 ft
	14.75	17.75	2SVDP1601.5	Z-Vent Pipe	16in x 1.5ft
16in	20.75	23.75	2SVDP1602	Z-Vent Pipe	16in x 2ft
	32.75	35.75	2SVDP1603	Z-Vent Pipe	16in x 3ft
	4.75	7.75	2SVDP18.5	Z-Vent Pipe	18in x 6in
17in	8.75	11.75	2SVDP1801	Z-Vent Pipe	18in x 1 ft
	14.75	17.75	2SVDP1801.5	Z-Vent Pipe	18in x 1.5ft
	20.75	23.75	2SVDP1802	Z-Vent Pipe	18in x 2ft
18in	32.75	35.75	2SVDP1803	Z-Vent Pipe	18in x 3ft
	4.75	7.75	2SVDP20.5	Z-Vent Pipe	20in x 6in
	8.75	11.75	2SVDP2001	Z-Vent Pipe	20in x 1 ft
19in	14.75	17.75	2SVDP2001.5	Z-Vent Pipe	20in x 1.5ft
	20.75	23.75	2SVDP2002	Z-Vent Pipe	20in x 2ft
	32.75	35.75	2SVDP2003	Z-Vent Pipe	20in x 3ft
20in	4.75	7.75	2SVDP22.5	Z-Vent Pipe	22in x 6in
	8.75	11.75	2SVDP2201	Z-Vent Pipe	22in x 1 ft
	14.75	17.75	2SVDP2201.5	Z-Vent Pipe	22in x 1.5ft
21in	20.75	23.75	2SVDP2202	Z-Vent Pipe	22in x 2ft
	32.75	35.75	2SVDP2203	Z-Vent Pipe	22in x 3ft
	4.75	7.75	2SVDP24.5	Z-Vent Pipe	24in x 6in
22in	8.75	11.75	2SVDP2401	Z-Vent Pipe	24in x 1 ft
	14.75	17.75	2SVDP2401.5	Z-Vent Pipe	24in x 1.5ft
	20.75	23.75	2SVDP2402	Z-Vent Pipe	24in x 2ft
23in	32.75	35.75	2SVDP2403	Z-Vent Pipe	24in x 3ft

Z-VENT™ Double Wall AL 29-4C® Special Gas Vent

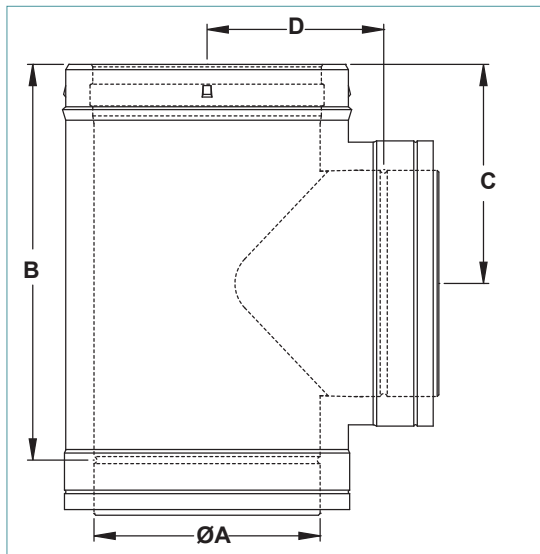
Double Wall Boot Tee

A	B	C	D	Part Number	Description
3	11.00	7.50	4.88	2SVDTBT03	Z-Vent DW Boot Tee 3 in
4	12.00	8.00	5.25	2SVDTBT04	Z-Vent DW Boot Tee 4 in
5	14.00	9.50	7.00	2SVDTBT05	Z-Vent DW Boot Tee 5 in
6	17.00	11.25	10.00	2SVDTBT06	Z-Vent DW Boot Tee 6 in
7	13.63	12.50	11.25	2SVDTBT07	Z-Vent DW Boot Tee 7 in
8	20.34	13.75	12.50	2SVDTBT08	Z-Vent DW Boot Tee 8 in
9	22.30	15.00	13.75	2SVDTBT09	Z-Vent DW Boot Tee 9 in
10	24.44	16.25	15.00	2SVDTBT10	Z-Vent DW Boot Tee 10 in
12	29.88	18.75	17.44	2SVDTBT12	Z-Vent DW Boot Tee 12 in
14	33.00	22.25	19.50	2SVDTBT14	Z-Vent DW Boot Tee 14 in
16	35.34	25.25	22.00	2SVDTBT16	Z-Vent DW Boot Tee 16 in
18	42.47	29.25	25.47	2SVDTBT18	Z-Vent DW Boot Tee 18 in
20	46.00	31.75	28.00	2SVDTBT20	Z-Vent DW Boot Tee 20 in
22	49.50	34.25	30.47	2SVDTBT22	Z-Vent DW Boot Tee 22 in
24	53.00	36.75	33.00	2SVDTBT24	Z-Vent DW Boot Tee 24 in

A Boot Tee is designed to allow a low, flow resistance connection of horizontal and vertical sections. Tee cap is available separately.



A tee is used to connect horizontal and vertical vent sections. Tee cap sold separately.



Double Wall Tee

A	B	C	D	Part Number	Description
3	9.29	5.75	4.00	2SVDT03	Z-Vent DW Tee 3 in
4	9.25	6.17	3.63	2SVDT04	Z-Vent DW Tee 4 in
5	10.25	6.67	4.50	2SVDT05	Z-Vent DW Tee 5 in
6	12.60	7.17	5.00	2SVDT06	Z-Vent DW Tee 6 in
7	13.63	7.67	5.50	2SVDT07	Z-Vent DW Tee 7 in
8	13.75	8.20	6.50	2SVDT08	Z-Vent DW Tee 8 in
9	14.48	8.00	6.50	2SVDT09	Z-Vent DW Tee 9 in
10	17.25	9.5	8.00	2SVDT10	Z-Vent DW Tee 10 in
12	18.00	9.75	8.00	2SVDT12	Z-Vent DW Tee 12 in
14	19.00	10.75	8.00	2SVDT14	Z-Vent DW Tee 14 in
16	21.00	11.75	9.50	2SVDT16	Z-Vent DW Tee 16 in
18	22.00	12.25	10.00	2SVDT18	Z-Vent DW Tee 18 in
20	24.00	13.25	11.00	2SVDT20	Z-Vent DW Tee 20 in
22	27.63	14.75	13.00	2SVDT22	Z-Vent DW Tee 22 in
24	29.00	15.75	15.00	2SVDT24	Z-Vent DW Tee 24 in

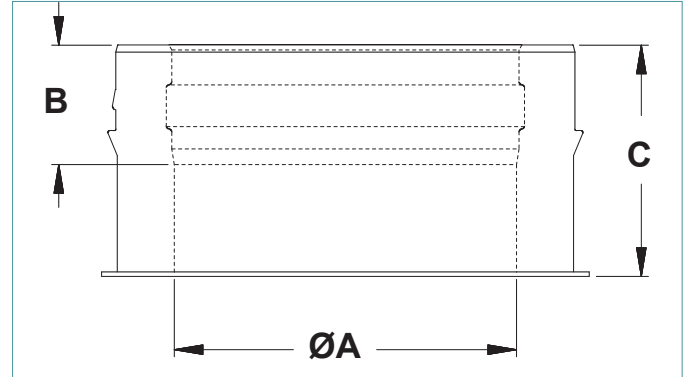
Z-VENT™ Double Wall

AL 29-4C® Special Gas Vent

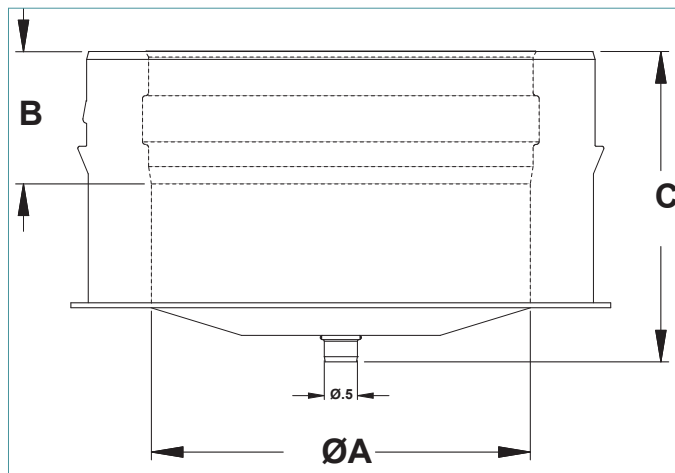
Double Wall Tee Cap

A	B	C	Part Number	Description
5	2	4	2SVDTC05	Z-Vent DW Tee Cap 5 in
6	2	4	2SVDTC06	Z-Vent DW Tee Cap 6 in
7	2	4	2SVDTC07	Z-Vent DW Tee Cap 7 in
8	2	4	2SVDTC08	Z-Vent DW Tee Cap 8 in
9	2	4	2SVDTC09	Z-Vent DW Tee Cap 9 in
10	2	4	2SVDTC10	Z-Vent DW Tee Cap 10 in
12	2	4	2SVDTC12	Z-Vent DW Tee Cap 12 in
14	3	5	2SVDTC14	Z-Vent DW Tee Cap 14 in
16	3	5	2SVDTC16	Z-Vent DW Tee Cap 16 in
18	3	5	2SVDTC18	Z-Vent DW Tee Cap 18 in
20	3	5	2SVDTC20	Z-Vent DW Tee Cap 20 in
22	3	5	2SVDTC22	Z-Vent DW Tee Cap 22 in
24	3	5	2SVDTC24	Z-Vent DW Tee Cap 24 in

A tee cap with drain is required at the bottom of a vertical stack. High temperature silicone tubing is available separately.



A tee cap with drain is required at the bottom of a vertical stack. High temperature silicone tubing is available separately.



Double Wall Tee Cap with Drain

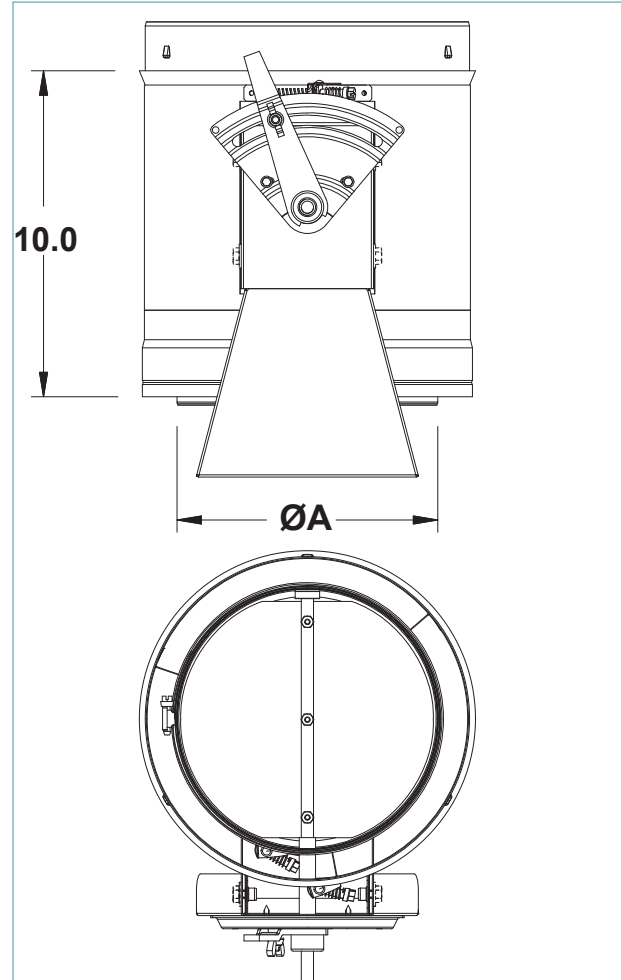
A	B	C	Part Number	Description
5	2	6	2SVDTCD05	Z-Vent DW Tee Cap with Drain 5 in
6	2	6	2SVDTCD06	Z-Vent DW Tee Cap with Drain 6 in
7	2	6	2SVDTCD07	Z-Vent DW Tee Cap with Drain 7 in
8	2	6	2SVDTCD08	Z-Vent DW Tee Cap with Drain 8 in
9	2	6	2SVDTCD09	Z-Vent DW Tee Cap with Drain 9 in
10	2	6	2SVDTCD10	Z-Vent DW Tee Cap with Drain 10 in
12	2	6	2SVDTCD12	Z-Vent DW Tee Cap with Drain 12 in
14	3	7	2SVDTCD14	Z-Vent DW Tee Cap with Drain 14 in
16	3	7	2SVDTCD16	Z-Vent DW Tee Cap with Drain 16 in
18	3	7	2SVDTCD18	Z-Vent DW Tee Cap with Drain 18 in
20	3	7	2SVDTCD20	Z-Vent DW Tee Cap with Drain 20 in
22	3	7	2SVDTCD22	Z-Vent DW Tee Cap with Drain 22 in
24	3	7	2SVDTCD24	Z-Vent DW Tee Cap with Drain 24 in

Z-VENT™ Double Wall AL 29-4C® Special Gas Vent

Double Wall Damper Pipe

A	Part Number	Description
6	2SVDID06	Z-vent D/W Damper Pipe 6 in
7	2SVDID07	Z-vent D/W Damper Pipe 7 in
8	2SVDID08	Z-vent D/W Damper Pipe 8 in
9	2SVDID09	Z-vent D/W Damper Pipe 9 in
10	2SVDID10	Z-vent D/W Damper Pipe 10 in
12	2SVDID12	Z-vent D/W Damper Pipe 12 in

Used to adjust flue gas flow in positive or negative pressure vent systems. Comes with heavy duty locking $\frac{3}{8}$ " regulator set, extended shaft and motor platform. Removable outer jacket allows for use on double wall or single wall Vent



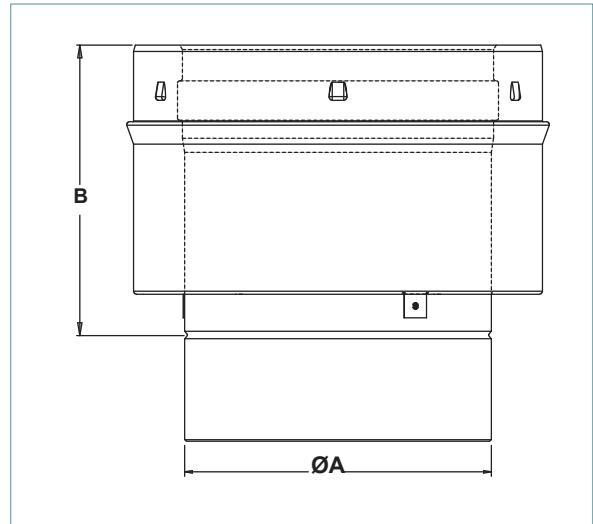
Z-VENT™ Double Wall

AL 29-4C® Special Gas Vent

Single Wall to Double Wall Adapter

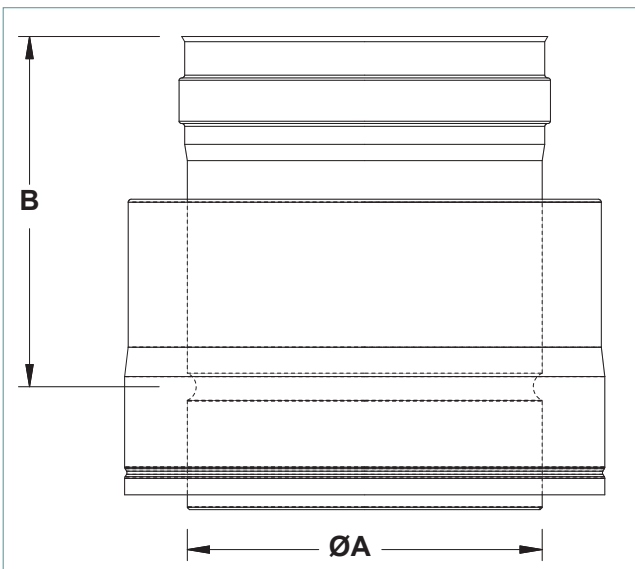
A	B	Part Number	Description
3	5.75	2SVDSA03	Z-Vent SW to DW Adaptor 3in
4	5.75	2SVDSA04	Z-Vent SW to DW Adaptor 4in
5	5.75	2SVDSA05	Z-Vent SW to DW Adaptor 5in
6	5.75	2SVDSA06	Z-Vent SW to DW Adaptor 6 in
7	5.75	2SVDSA07	Z-Vent SW to DW Adaptor 7in
8	5.75	2SVDSA08	Z-Vent SW to DW Adaptor 8in
9	5.75	2SVDSA09	Z-Vent SW to DW Adaptor 9in
10	5.75	2SVDSA10	Z-Vent SW to DW Adaptor 10in
12	5.75	2SVDSA12	Z-Vent SW to DW Adaptor 12in
14	5.75	2SVDSA14	Z-Vent SW to DW Adaptor 14in
16	5.75	2SVDSA16	Z-Vent SW to DW Adaptor 16in
18	5.75	2SVDSA18	Z-Vent SW to DW Adaptor 18in
20	5.75	2SVDSA20	Z-Vent SW to DW Adaptor 20in
22	5.75	2SVDSA22	Z-Vent SW to DW Adaptor 22in
24	5.75	2SVDSA24	Z-Vent SW to DW Adaptor 24in

Used to adapt Z-VENT™ single wall to double wall pipe or flue outlet collar.



Double Wall to Single Wall Adapter

A	B	Part Number	Description
3	5.75	2SVSDA03	Z-Vent DW to SW Adaptor 3in
4	5.75	2SVSDA04	Z-Vent DW to SW Adaptor 4in
5	5.75	2SVSDA05	Z-Vent DW to SW Adaptor 5in
6	5.75	2SVSDA06	Z-Vent DW to SW Adaptor 6 in
7	5.75	2SVSDA07	Z-Vent DW to SW Adaptor 7in
8	5.75	2SVSDA08	Z-Vent DW to SW Adaptor 8in
9	5.75	2SVSDA09	Z-Vent DW to SW Adaptor 9in
10	5.75	2SVSDA10	Z-Vent DW to SW Adaptor 10in
12	5.75	2SVSDA12	Z-Vent DW to SW Adaptor 12in
14	5.75	2SVSDA14	Z-Vent DW to SW Adaptor 14in
16	5.75	2SVSDA16	Z-Vent DW to SW Adaptor 16in
18	5.75	2SVSDA18	Z-Vent DW to SW Adaptor 18in
20	5.75	2SVSDA20	Z-Vent DW to SW Adaptor 20in
22	5.75	2SVSDA22	Z-Vent DW to SW Adaptor 22in
24	5.75	2SVSDA24	Z-Vent DW to SW Adaptor 24in



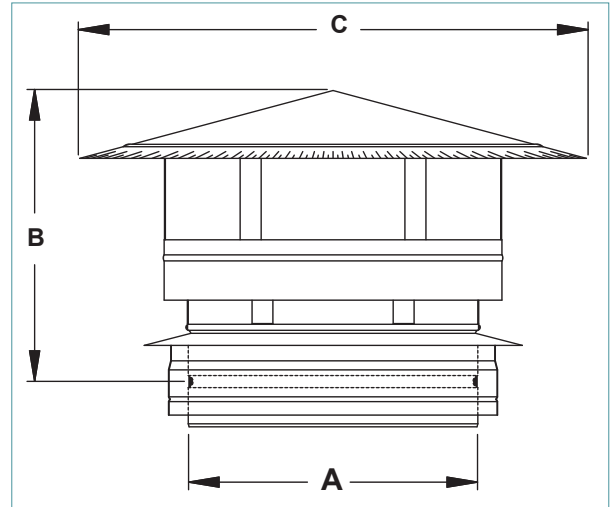
Z-VENT™ Double Wall

AL 29-4C® Special Gas Vent

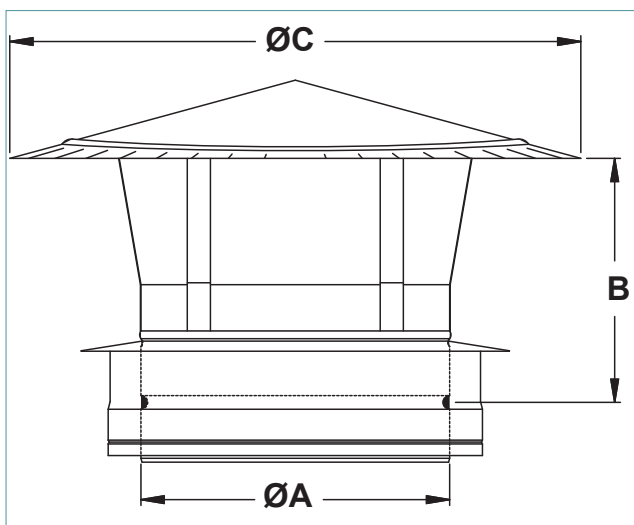
Double Wall Rain Cap

A	B	C	Part Number	Description
3	6.00	11.00	2SVDRCF03	DW Rain Cap w/wind band 3in
4	6.00	12.75	2SVDRCF04	DW Rain Cap w/ wind band 4in
5	7.00	11.00	2SVDRCX05	DW Rain Cap w/wind band 5in
6	7.00	12.75	2SVDRCX06	DW Rain Cap w/wind band 6in
7	7.30	14.00	2SVDRCX07	DW Rain Cap w/wind band 7in
8	7.50	15.00	2SVDRCX08	DW Rain Cap w/wind band 8in
9	8.00	18.50	2SVDRCX09	DW Rain Cap w/wind band 9in
10	8.00	18.50	2SVDRCX10	DW Rain Cap w/wind band 10in
12	9.00	22.12	2SVDRCX12	DW Rain Cap w/wind band 12in
14	10.00	25.75	2SVDRCX14	DW Rain Cap w/wind band 14in
16	10.25	28.80	2SVDRCX16	DW Rain Cap w/wind band 16in
18	10.75	32.40	2SVDRCX18	DW Rain Cap w/wind band 18in
20	11.00	34.40	2SVDRCX20	DW Rain Cap w/wind band 20in
22	11.00	36.00	2SVDRCX22	DW Rain Cap w/wind band 22in
24	11.00	37.88	2SVDRCX24	DW Rain Cap w/wind band 24in

A rain cap is designed to terminate a vertical stack and prevent the entrance of debris or rain into the vent. Includes wind band to prevent draft loss.



A low resistance rain cap is designed to terminate a vertical stack and prevent the entrance of debris or rain into the vent. It also provides low resistance to flue gas flow.



Low Resistance Double Wall Rain Cap

A	B	C	Part Number	Description
5	7.00	11.00	2SVDRC05	DW Low Resistance Rain Cap 5in
6	7.00	12.75	2SVDRC06	DW Low Resistance Rain Cap 6in
7	7.30	14.00	2SVDRC07	DW Low Resistance Rain Cap 7in
8	7.50	15.00	2SVDRC08	DW Low Resistance Rain Cap 8in
9	8.00	18.50	2SVDRC09	DW Low Resistance Rain Cap 9in
10	8.00	18.50	2SVDRC10	DW Low Resistance Rain Cap 10in
12	9.00	22.12	2SVDRC12	DW Low Resistance Rain Cap 12in
14	10.00	25.75	2SVDRC14	DW Low Resistance Rain Cap 14in
16	10.25	28.80	2SVDRC16	DW Low Resistance Rain Cap 16in
18	10.75	32.40	2SVDRC18	DW Low Resistance Rain Cap 18in
20	11.00	34.40	2SVDRC20	DW Low Resistance Rain Cap 20in
22	11.00	36.00	2SVDRC22	DW Low Resistance Rain Cap 22in
24	11.00	37.88	2SVDRC24	DW Low Resistance Rain Cap 24in

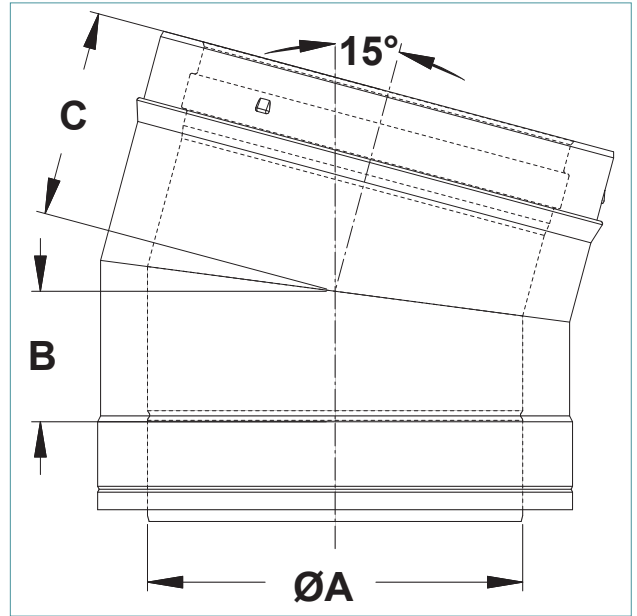
Z-VENT™ Double Wall

AL 29-4C® Special Gas Vent

15° Double Wall Elbow

A	B	C	Part No	Description
3	2.45	4.20	2SVDE0315	Z-Vent DW Elbow 15° X 3 in
4	2.51	4.26	2SVDE0415	Z-Vent DW Elbow 15° X 4 in
5	2.58	4.33	2SVDE0515	Z-Vent DW Elbow 15° X 5 in
6	2.64	4.39	2SVDE0615	Z-Vent DW Elbow 15° X 6 in
7	2.71	4.46	2SVDE0715	Z-Vent DW Elbow 15° X 7 in
8	2.78	4.53	2SVDE0815	Z-Vent DW Elbow 15° X 8 in
9	2.84	4.59	2SVDE0915	Z-Vent DW Elbow 15° X 9 in
10	2.91	4.66	2SVDE1015	Z-Vent DW Elbow 15° X 10 in
12	3.04	4.79	2SVDE1215	Z-Vent DW Elbow 15° X 12 in
14	3.17	5.92	2SVDE1415	Z-Vent DW Elbow 15° X 14 in
16	3.30	6.05	2SVDE1615	Z-Vent DW Elbow 15° X 16 in
18	3.43	6.18	2SVDE1815	Z-Vent DW Elbow 15° X 18 in
20	3.57	6.32	2SVDE2015	Z-Vent DW Elbow 15° X 20 in
22	3.70	6.45	2SVDE2215	Z-Vent DW Elbow 15° X 22 in
24	3.83	6.58	2SVDE2415	Z-Vent DW Elbow 15° X 24 in

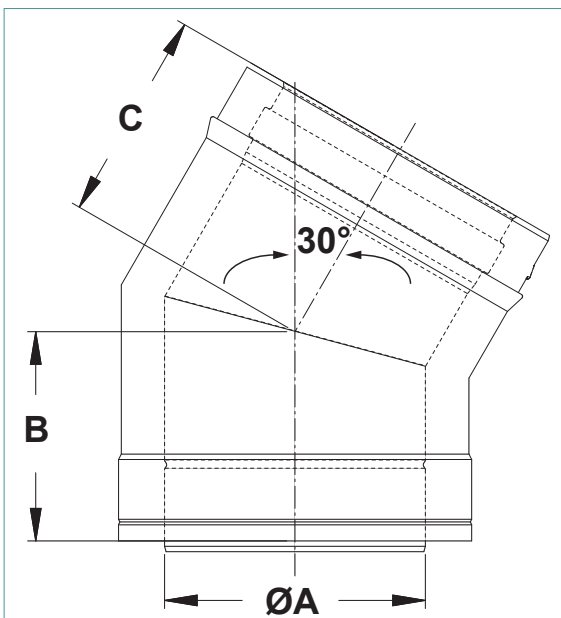
15° elbows are used when a direction change or offset is required.



30° elbows are used when a direction change or offset is required.

30° Double Wall Elbow

A	B	C	Part No	Description
3	2.65	4.40	2SVDE0330	Z-Vent DW Elbow 30° X 3 in
4	2.79	4.54	2SVDE0430	Z-Vent DW Elbow 30° X 4 in
5	2.92	4.67	2SVDE0530	Z-Vent DW Elbow 30° X 5 in
6	3.05	4.80	2SVDE0630	Z-Vent DW Elbow 30° X 6 in
7	3.19	4.94	2SVDE0730	Z-Vent DW Elbow 30° X 7 in
8	3.32	5.07	2SVDE0830	Z-Vent DW Elbow 30° X 8 in
9	3.46	5.21	2SVDE0930	Z-Vent DW Elbow 30° X 9 in
10	3.59	5.35	2SVDE1030	Z-Vent DW Elbow 30° X 10 in
12	3.86	5.61	2SVDE1230	Z-Vent DW Elbow 30° X 12 in
14	4.38	6.88	2SVDE1430	Z-Vent DW Elbow 30° X 14 in
16	4.64	7.14	2SVDE1630	Z-Vent DW Elbow 30° X 16 in
18	4.91	7.41	2SVDE1830	Z-Vent DW Elbow 30° X 18 in
20	5.18	7.68	2SVDE2030	Z-Vent DW Elbow 30° X 20 in
22	5.45	7.95	2SVDE2230	Z-Vent DW Elbow 30° X 22 in
24	5.72	8.22	2SVDE2430	Z-Vent DW Elbow 30° X 24 in

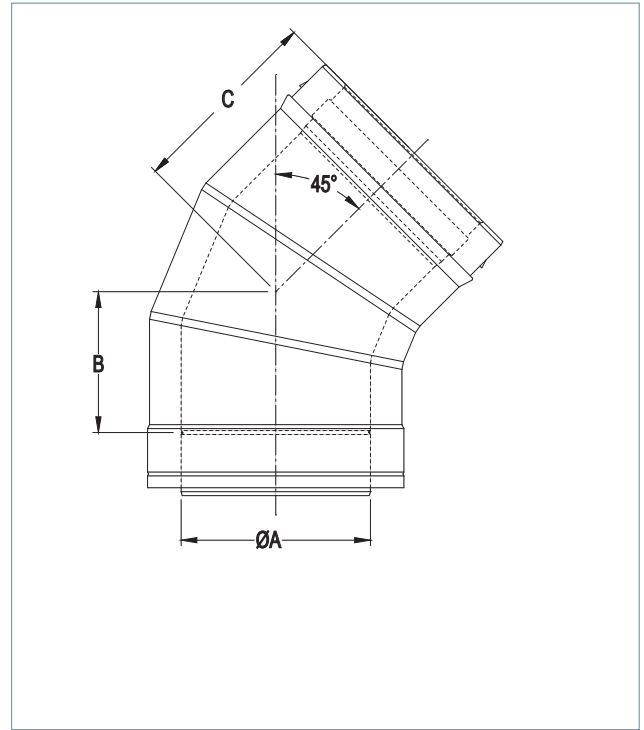


Z-VENT™ Double Wall AL 29-4C® Special Gas Vent

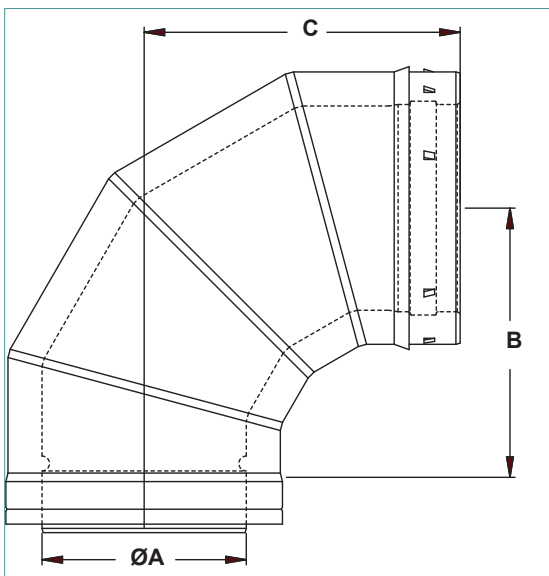
45° Double Wall Elbow

A	B	C	Part Number	Description
3	1.62	3.37	2SVDE0345	Z-Vent DW Elbow 45° X 3 in
4	1.83	3.58	2SVDE0445	Z-Vent DW Elbow 45° X 4 in
5	4.16	5.91	2SVDE0545	Z-Vent DW Elbow 45° X 5 in
6	4.37	6.12	2SVDE0645	Z-Vent DW Elbow 45° X 6 in
7	4.58	6.33	2SVDE0745	Z-Vent DW Elbow 45° X 7 in
8	4.79	6.54	2SVDE0845	Z-Vent DW Elbow 45° X 8 in
9	5.00	6.75	2SVDE0945	Z-Vent DW Elbow 45° X 9 in
10	5.20	6.96	2SVDE1045	Z-Vent DW Elbow 45° X 10 in
12	5.61	7.36	2SVDE1245	Z-Vent DW Elbow 45° X 12 in
14	6.03	8.78	2SVDE1445	Z-Vent DW Elbow 45° X 14 in
16	6.44	9.19	2SVDE1645	Z-Vent DW Elbow 45° X 16 in
18	6.86	9.61	2SVDE1845	Z-Vent DW Elbow 45° X 18 in
20	7.27	10.02	2SVDE2045	Z-Vent DW Elbow 45° X 20 in
22	7.69	10.44	2SVDE2245	Z-Vent DW Elbow 45° X 22 in
24	8.10	10.85	2SVDE2445	Z-Vent DW Elbow 45° X 24 in

45° elbows are used when a direction change or offset is required.



90° elbows are used when a direction change or offset is required.



90° Double Wall Elbow

A	B	C	Part Number	Description
3	4.72	6.18	2SVDE0390	Z-Vent DW Elbow 90° X 3 in
4	5.22	6.66	2SVDE0490	Z-Vent DW Elbow 90° X 4 in
5	6.63	8.32	2SVDE0590	Z-Vent DW Elbow 90° X 5 in
6	7.50	9.28	2SVDE0690	Z-Vent DW Elbow 90° X 6 in
7	8.28	9.84	2SVDE0790	Z-Vent DW Elbow 90° X 7 in
8	8.13	9.85	2SVDE0890	Z-Vent DW Elbow 90° X 8 in
9	9.30	10.88	2SVDE0990	Z-Vent DW Elbow 90° X 9 in
10	9.50	11.20	2SVDE1090	Z-Vent DW Elbow 90° X 10 in
12	10.50	12.20	2SVDE1290	Z-Vent DW Elbow 90° X 12 in
14	11.15	12.75	2SVDE1490	Z-Vent DW Elbow 90° X 14 in
16	12.00	14.53	2SVDE1690	Z-Vent DW Elbow 90° X 16 in
18	13.00	15.58	2SVDE1890	Z-Vent DW Elbow 90° X 18 in
20	14.50	17.00	2SVDE2090	Z-Vent DW Elbow 90° X 20 in
22	16.00	19.00	2SVDE2290	Z-Vent DW Elbow 90° X 22 in
24	18.66	21.20	2SVDE2490	Z-Vent DW Elbow 90° X 24 in

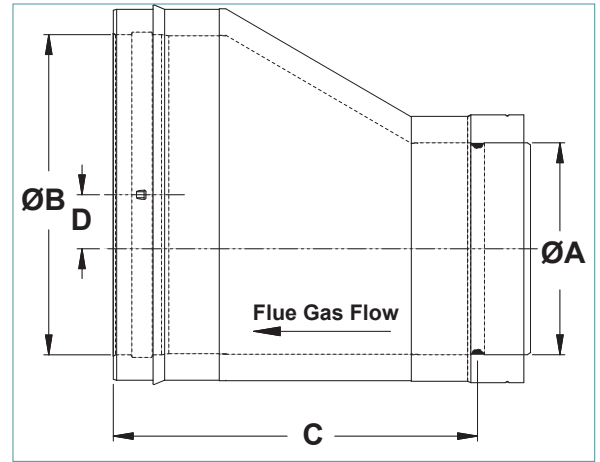
Z-VENT™ Double Wall

AL 29-4C® Special Gas Vent

Double Wall Eccentric Increaser

A	B	C	D	Part Number	Description
5	6	12.00	0.50	2SVDIE0506	Z-Vent DW Eccentric Increaser 5 to 6 in
5	7	12.00	1.00	2SVDIE0507	Z-Vent DW Eccentric Increaser 5 to 7in
5	8	14.00	2.00	2SVDIE0508	Z-Vent DW Eccentric Increaser 5 to 8 in
6	7	12.00	0.50	2SVDIE0607	Z-Vent DW Eccentric Increaser 6 to 7 in
6	8	12.00	1.00	2SVDIE0608	Z-Vent DW Eccentric Increaser 6 to 8in
6	9	14.00	1.50	2SVDIE0609	Z-Vent DW Eccentric Increaser 6 to 9 in
6	10	14.00	2.00	2SVDIE0610	Z-Vent DW Eccentric Increaser 6 to 10 in
6	12	14.00	3.00	2SVDIE0612	Z-Vent DW Eccentric Increaser 6 to 12in
7	8	12.00	0.50	2SVDIE0708	Z-Vent DW Eccentric Increaser 7 to 8 in
7	10	12.00	1.50	2SVDIE0710	Z-Vent DW Eccentric Increaser 7 to 10in
7	12	14.00	2.50	2SVDIE0712	Z-Vent DW Eccentric Increaser 7 to 12 in
8	10	12.00	1.00	2SVDIE0810	Z-Vent DW Eccentric Increaser 7 to 12in
8	12	12.00	2.00	2SVDIE0812	Z-Vent DW Eccentric Increaser 8 to 10 in
8	14	14.00	3.00	2SVDIE0814	Z-Vent DW Eccentric Increaser 8 to 12in
9	10	12.00	0.50	2SVDIE0910	Z-Vent DW Eccentric Increaser 9 to 10 in
9	12	12.00	1.50	2SVDIE0912	Z-Vent DW Eccentric Increaser 9 to 12in
10	12	12.00	1.00	2SVDIE1012	Z-Vent DW Eccentric Increaser 10 to 12 in
10	14	13.00	2.00	2SVDIE1014	Z-Vent DW Eccentric Increaser 10 to 14in
10	16	14.00	3.00	2SVDIE1016	Z-Vent DW Eccentric Increaser 10 to 16 in
12	14	15.00	1.00	2SVDIE1214	Z-Vent DW Eccentric Increaser 12 to 14in
12	16	15.00	2.00	2SVDIE1216	Z-Vent DW Eccentric Increaser 12 to 16 in
12	18	15.00	3.00	2SVDIE1218	Z-Vent DW Eccentric Increaser 12 to 18in
14	16	15.00	1.00	2SVDIE1416	Z-Vent DW Eccentric Increaser 14 to 16 in
14	18	15.00	2.00	2SVDIE1418	Z-Vent DW Eccentric Increaser 14 to 18in
14	20	15.00	3.00	2SVDIE1420	Z-Vent DW Eccentric Increaser 14 to 20 in
16	18	15.00	1.00	2SVDIE1618	Z-Vent DW Eccentric Increaser 16 to 18in
16	20	15.00	2.00	2SVDIE1620	Z-Vent DW Eccentric Increaser 16 to 20 in
16	22	15.00	3.00	2SVDIE1622	Z-Vent DW Eccentric Increaser 16 to 22in
18	20	15.00	1.00	2SVDIE1820	Z-Vent DW Eccentric Increaser 18 to 20 in
18	22	15.00	2.00	2SVDIE1822	Z-Vent DW Eccentric Increaser 18 to 22 in
18	24	15.00	3.00	2SVDIE1824	Z-Vent DW Eccentric Increaser 18 to 24 in

Used to upsize a vent system. Recommended for use with horizontal vent runs.



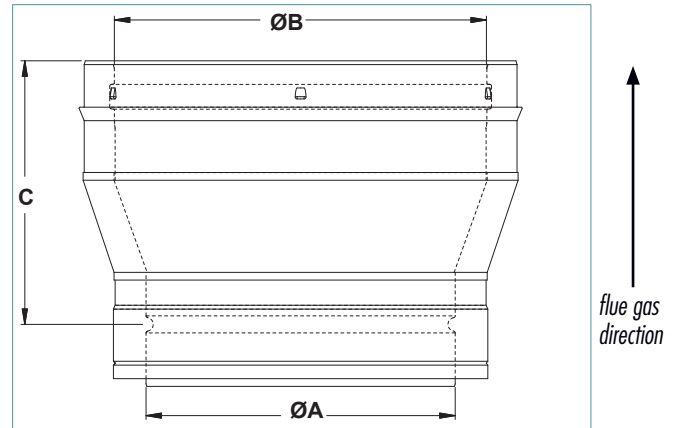
Z-VENT™ Double Wall

AL 29-4C® Special Gas Vent

Double Wall Increaser

A	B	C	Part Number	Description
3	4	7.00	2SVDI0304	Z-Vent DW. Increaser 3 to 4in
3	5	8.15	2SVDI0305	Z-Vent DW. Increaser 3 to 5 in
4	5	7.00	2SVDI0405	Z-Vent DW. Increaser 4 to 5in
4	6	8.15	2SVDI0406	Z-Vent DW. Increaser 4 to 6 in
4	8	10.30	2SVDI0408	Z-Vent DW. Increaser 4 to 8in
5	6	7.00	2SVDI0506	Z-Vent DW. Increaser 5 to 6 in
5	7	8.15	2SVDI0507	Z-Vent DW. Increaser 5 to 7in
5	8	9.20	2SVDI0508	Z-Vent DW. Increaser 5 to 8 in
5	9	10.30	2SVDI0509	Z-Vent DW. Increaser 5 to 9in
5	6	7.00	2SVDI0506	Z-Vent DW. Increaser 5 to 6 in
5	7	8.15	2SVDI0507	Z-Vent DW. Increaser 5 to 7in
5	8	9.20	2SVDI0508	Z-Vent DW. Increaser 5 to 8 in
5	9	10.30	2SVDI0509	Z-Vent DW. Increaser 5 to 9in
6	7	7.00	2SVDI0607	Z-Vent DW. Increaser 6 to 7 in
6	8	8.15	2SVDI0608	Z-Vent DW. Increaser 6 to 8in
6	9	9.20	2SVDI0609	Z-Vent DW. Increaser 6 to 9 in
6	10	10.30	2SVDI0610	Z-Vent DW. Increaser 6 to 10in
7	8	7.00	2SVDI0708	Z-Vent DW. Increaser 7 to 8 in
7	9	8.15	2SVDI0709	Z-Vent DW. Increaser 7 to 9in
7	10	9.20	2SVDI0710	Z-Vent DW. Increaser 7 to 10 in
7	12	11.36	2SVDI0712	Z-Vent DW. Increaser 7 to 12in
8	10	8.15	2SVDI0810	Z-Vent DW. Increaser 8 to 10 in
8	12	10.30	2SVDI0812	Z-Vent DW. Increaser 8 to 12in
8	14	12.43	2SVDI0814	Z-Vent DW. Increaser 8 to 14 in
9	10	7.00	2SVDI0910	Z-Vent DW. Increaser 9 to 10in
9	12	9.20	2SVDI0912	Z-Vent DW. Increaser 9 to 12 in
10	12	8.15	2SVDI1012	Z-Vent DW. Increaser 10 to 12in
10	14	11.30	2SVDI1014	Z-Vent DW. Increaser 10 to 14 in
10	16	13.43	2SVDI1016	Z-Vent DW. Increaser 10 to 16in
12	14	9.15	2SVDI1214	Z-Vent DW. Increaser 12 to 14 in
12	16	11.30	2SVDI1216	Z-Vent DW. Increaser 12 to 16in
12	18	13.43	2SVDI1218	Z-Vent DW. Increaser 12 to 18 in
14	16	9.15	2SVDI1416	Z-Vent DW. Increaser 14 to 16in
14	18	11.30	2SVDI1418	Z-Vent DW. Increaser 14 to 18 in
14	20	13.43	2SVDI1420	Z-Vent DW. Increaser 14 to 20in
16	18	9.15	2SVDI1618	Z-Vent DW. Increaser 16 to 18 in
16	20	11.30	2SVDI1620	Z-Vent DW. Increaser 16 to 20in
16	22	13.43	2SVDI1622	Z-Vent DW. Increaser 16 to 22 in
18	20	9.15	2SVDI1820	Z-Vent DW. Increaser 18 to 20in
18	22	11.30	2SVDI1822	Z-Vent DW. Increaser 18 to 22 in
18	24	13.43	2SVDI1824	Z-Vent DW. Increaser 18 to 24in
20	22	9.15	2SVDI2022	Z-Vent DW. Increaser 20 to 22 in
20	24	11.30	2SVDI2024	Z-Vent DW. Increaser 20 to 24in
22	24	9.15	2SVDI2224	Z-Vent DW. Increaser 22 to 24 in

Used to upsize a vent system. Recommended for use with vertical vent runs.



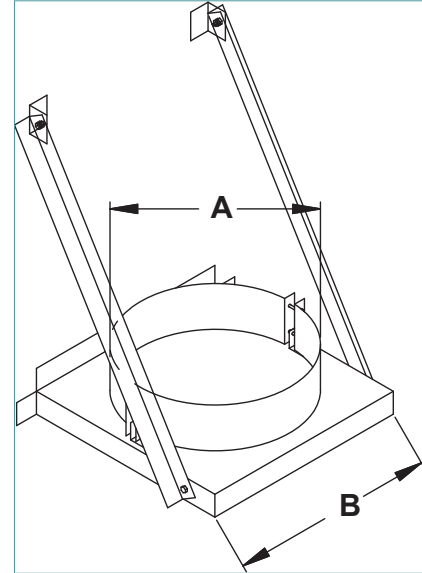
Z-VENT™ Double Wall

AL 29-4C® Special Gas Vent

Double Wall Base Support

A	B	Part Number	Description
5	10.00	2SVDBS03	Z-Vent DW Base Support 3 in
6	11.00	2SVDBS04	Z-Vent DW Base Support 4 in
7	12.00	2SVDBS05	Z-Vent DW Base Support 5 in
8	13.00	2SVDBS06	Z-Vent DW Base Support 6 in
9	14.00	2SVDBS07	Z-Vent DW Base Support 7 in
10	15.00	2SVDBS08	Z-Vent DW Base Support 8 in
12	17.00	2SVDBS09	Z-Vent DW Base Support 10 in
14	19.00	2SVDBS10	Z-Vent DW Base Support 12 in
16	21.00	2SVDBS12	Z-Vent DW Base Support 14 in
18	23.00	2SVDBS14	Z-Vent DW Base Support 16 in
20	25.00	2SVDBS16	Z-Vent DW Base Support 18 in
22	27.00	2SVDBS18	Z-Vent DW Base Support 20 in
24	29.00	2SVDBS20	Z-Vent DW Base Support 22 in
26	31.00	2SVDBS22	Z-Vent DW Base Support 24 in

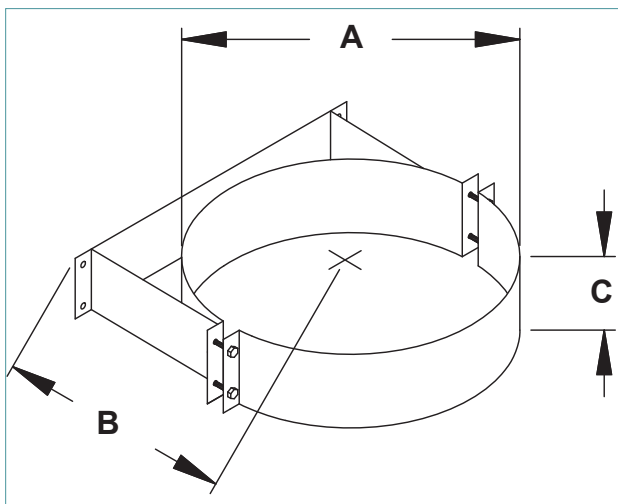
Base supports are designed to support the vent base and maintain proper clearance to combustibles.



Vent supports are used to provide support to the vent system while maintaining proper clearance to combustible materials. As vertical supports are required after any 10ft run. These supports may also be used to support long horizontal runs, which require support every 6ft. Can be used on horizontal and vertical runs.

Double Wall Vent Support

A	B	C	Part Number	Description
5	4.50	3.00	2SVDWS03	Z-Vent DW Vent Support 3 in
6	5.00	3.00	2SVDWS04	Z-Vent DW Vent Support 4 in
7	5.50	3.00	2SVDWS05	Z-Vent DW Vent Support 5 in
8	6.00	3.00	2SVDWS06	Z-Vent DW Vent Support 6 in
9	6.50	3.00	2SVDWS07	Z-Vent DW Vent Support 7 in
10	7.00	3.00	2SVDWS08	Z-Vent DW Vent Support 8 in
11	7.50	3.00	2SVDWS09	Z-Vent DW Vent Support 9 in
12	8.00	3.00	2SVDWS10	Z-Vent DW Vent Support 10 in
14	9.00	3.00	2SVDWS12	Z-Vent DW Vent Support 12 in
16	10.00	3.00	2SVDWS14	Z-Vent DW Vent Support 14 in
18	11.00	3.00	2SVDWS16	Z-Vent DW Vent Support 16 in
20	12.00	3.00	2SVDWS18	Z-Vent DW Vent Support 18 in
22	13.00	3.00	2SVDWS20	Z-Vent DW Vent Support 20 in
24	14.00	3.00	2SVDWS22	Z-Vent DW Vent Support 22 in
26	15.00	3.00	2SVDWS24	Z-Vent DW Vent Support 24 in

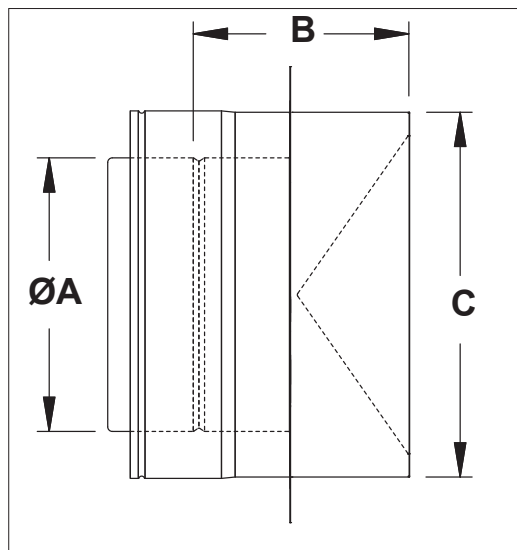
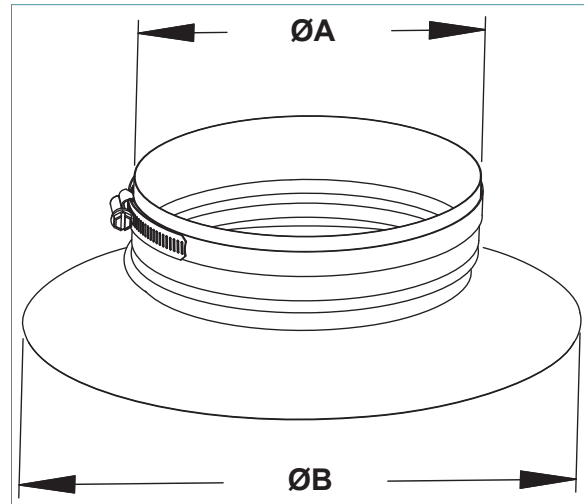


Z-VENT™ Double Wall AL 29-4C® Special Gas Vent

For use in conjunction with flashing to provide weather protection.

Double Wall Storm Collar / Top Support

A	B	Part ID	Description
5	9.00	2SVDLS03	Z-Vent DW Storm Collar 3 in
6	10.00	2SVDLS04	Z-Vent DW Storm Collar 4 in
7	11.00	2SVDLS05	Z-Vent DW Storm Collar 5 in
8	12.00	2SVDLS06	Z-Vent DW Storm Collar 6 in
9	13.00	2SVDLS07	Z-Vent DW Storm Collar 7 in
10	14.00	2SVDLS08	Z-Vent DW Storm Collar 8 in
11	15.00	2SVDLS09	Z-Vent DW Storm Collar 9 in
12	16.00	2SVDLS10	Z-Vent DW Storm Collar 10 in
14	18.00	2SVDLS12	Z-Vent DW Storm Collar 12 in
16	20.00	2SVDLS14	Z-Vent DW Storm Collar 14 in
18	22.00	2SVDLS16	Z-Vent DW Storm Collar 16 in
20	24.00	2SVDLS18	Z-Vent DW Storm Collar 18 in
22	26.00	2SVDLS20	Z-Vent DW Storm Collar 20 in
24	28.00	2SVDLS22	Z-Vent DW Storm Collar 22 in
26	30.00	2SVDLS24	Z-Vent DW Storm Collar 24 in



Double Wall Termination

A	B	C	D	Part Number	Description
3	10.00	5.00	8.00	2SVDRTF03	Z-Vent DW Termination Box 3 in
4	10.00	5.00	8.00	2SVDRTF04	Z-Vent DW Termination Box 4 in
5	4.13	7.00	2.00	2SVDRTX05	Z-Vent DW Termination Box 5 in
6	4.75	8.00	2.00	2SVDRTX06	Z-Vent DW Termination Box 6 in
7	5.25	9.00	2.00	2SVDRTX07	Z-Vent DW Termination Box 7 in
8	5.75	10.00	2.00	2SVDRTX08	Z-Vent DW Termination Box 8 in
9	6.13	11.00	2.00	2SVDRTX09	Z-Vent DW Termination Box 9 in
10	7.00	12.00	2.00	2SVDRTX10	Z-Vent DW Termination Box 10 in
12	8.25	14.00	2.00	2SVDRTX12	Z-Vent DW Termination Box 12 in
14	9.25	16.00	2.00	2SVDRTX14	Z-Vent DW Termination Box 14 in
16	10.25	18.00	2.00	2SVDRTX16	Z-Vent DW Termination Box 16 in
18	10.50	20.00	2.00	2SVDRTX18	Z-Vent DW Termination Box 18 in
20	12.00	22.00	2.00	2SVDRTX20	Z-Vent DW Termination Box 20 in
22	13.00	24.00	2.00	2SVDRTX22	Z-Vent DW Termination Box 22 in
24	14.00	26.00	2.00	2SVDRTX24	Z-Vent DW Termination Box 24 in

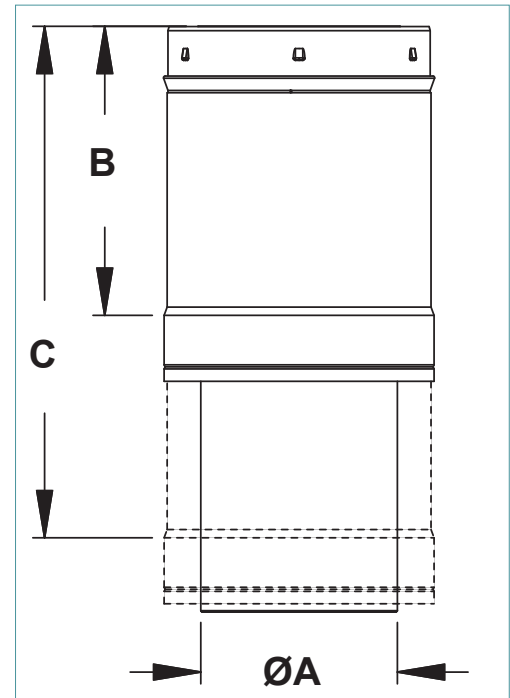
Z-VENT™ Double Wall

AL 29-4C® Special Gas Vent

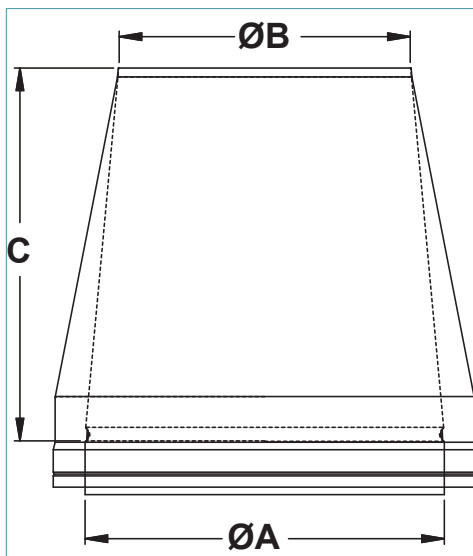
Double Wall Adjustable Length

A	B	C	Part Number	Description
3	6.00	9.50	2SVDPA03	Z-vent D/W Adjustable Pipe 3 in
4	6.00	9.50	2SVDPA04	Z-vent D/W Adjustable Pipe 4 in
5	9.00	15.50	2SVDPA05	Z-vent D/W Adjustable Pipe 5 in
6	9.00	15.50	2SVDPA06	Z-vent D/W Adjustable Pipe 6 in
7	9.00	15.50	2SVDPA07	Z-vent D/W Adjustable Pipe 7 in
8	9.00	15.50	2SVDPA08	Z-vent D/W Adjustable Pipe 8 in
9	9.00	15.50	2SVDPA09	Z-vent D/W Adjustable Pipe 9 in
10	9.00	15.50	2SVDPA10	Z-vent D/W Adjustable Pipe 10 in
12	9.00	15.50	2SVDPA12	Z-vent D/W Adjustable Pipe 12 in
14	9.00	14.50	2SVDPA14	Z-vent D/W Adjustable Pipe 14 in
16	9.00	14.50	2SVDPA16	Z-vent D/W Adjustable Pipe 16 in
18	9.00	14.50	2SVDPA18	Z-vent D/W Adjustable Pipe 18 in
20	9.00	14.50	2SVDPA20	Z-vent D/W Adjustable Pipe 20 in
22	9.00	14.50	2SVDPA22	Z-vent D/W Adjustable Pipe 22 in
24	9.00	14.50	2SVDPA24	Z-vent D/W Adjustable Pipe 24 in

The use of adjustable pipe may be required when the system must be located within extremely tight installation parameters. **IMPORTANT:** Adjustable pipe can only be used with an adjacent pipe. Not to be inserted into fittings.



Designed to increase stack velocity. Extremely low resistance. It is recommended to use tee cap with drain at base of stack.



Double Wall Exit Cone

A	B	C	Part Number	Description
6	4.87	9.25	2SVDXITC06	Z-Vent DW Exit Cone 6 in
7	5.69	9.88	2SVDXITC07	Z-Vent DW Exit Cone 7 in
8	6.50	10.40	2SVDXITC08	Z-Vent DW Exit Cone 8 in
9	7.31	10.88	2SVDXITC09	Z-Vent DW Exit Cone 9 in
10	8.125	11.25	2SVDXITC10	Z-Vent DW Exit Cone 10 in
12	9.88	12.75	2SVDXITC12	Z-Vent DW Exit Cone 12 in
14	11.75	13.63	2SVDXITC14	Z-Vent DW Exit Cone 14 in
16	13.25	14.63	2SVDXITC16	Z-Vent DW Exit Cone 16 in
18	14.75	15.63	2SVDXITC18	Z-Vent DW Exit Cone 18 in
20	16.50	16.63	2SVDXITC20	Z-Vent DW Exit Cone 20 in
22	18.00	17.63	2SVDXITC22	Z-Vent DW Exit Cone 22 in
24	19.50	18.63	2SVDXITC24	Z-Vent DW Exit Cone 24 in

Z-VENT™

Warranty

The installation must conform to the requirements of the appliance manufacturers' instructions, The National Fuel Gas Code and local codes and regulations.

Z-FLEX® LIMITED LIFETIME WARRANTY

Z-FLEX® ("Seller") extends the following LIMITED WARRANTY for Z-VENT™ (the "Z-VENT™"): Seller warrants that at the time of purchase, the Z-VENT™ will be free of manufacturers defects in material and/or workmanship. This warranty shall extend to the original purchaser of the Z-VENT™ or, if purchased by a contractor, to the end user. This warranty is valid for a period of fifteen (15) years from the date of purchase, provided that the Z-VENT™ has been installed according to Z-Flex® installation instructions. Deviating from the installation and use instructions included with the Z-VENT™ will void the warranty. Under this Limited Warranty, Seller's sole responsibility and liability shall be to replace the Z-VENT™ and/or accessories, if found by Seller to be defective according to the terms of the warranty, and shall not include replacement installation or other costs.

IMPORTANT: The Z-VENT™ Model SVEIV is designed for use with Category II, III and IV furnace and boiler venting and should not be used with any other type of furnace and boiler venting. Use of the Z-VENT™ with any other type of furnace and boiler venting other than those recommended by Seller for use with its Z-VENT™ will void the warranty.

WARNING: CONDENSATION WITH HIGH ACID CONTENT MAY BE PRODUCED DUE TO UNFORESEEN CONDITIONS. YOUR HEATING APPLIANCE AND VENTING SYSTEM SHOULD BE INSPECTED BY A LICENSED CONTRACTOR ON AN ANNUAL BASIS FOR POSSIBLE SIGNS OF DETERIORATION DUE TO RUSTING OR PIN HOLES. CONDENSATION WITH HIGH ACID CONTENT MAY CAUSE LEAKAGE OF HARMFUL GASES WHICH CAN CAUSE NAUSEA, FAINTING OR DEATH. IF DETERIORATION IS DETECTED CEASE USE OF HEATING SYSTEM AND CALL FURNACE/BOILER INSTALLER FOR REMEDIAL ACTION.

Please note: Different manufacturers have different joint systems and adhesives. Do not mix pipe, fittings or joining methods from different manufacturers without an approved adapter, as doing so will void any and all warranties.

To activate the warranty, the end-user must complete and return the Z-Flex® Warranty Registration Card within ninety (90) days of installation of the Z-VENT™. Upon written

notice of any defects, Z-Flex® reserves the right to examine or establish reasonable proof of defective material or workmanship justifying replacement.

NO OTHER EXPRESS WARRANTY HAS BEEN MADE OR WILL BE MADE ON BEHALF OF SELLER WITH RESPECT TO THE Z-VENT™ OR THE INSTALLATION OR REPLACEMENT OF THE Z-VENT™. SELLER SHALL NOT BE LIABLE FOR ANY SPECIAL, INCIDENTAL, INDIRECT OR CONSEQUENTIAL DAMAGES.

As some jurisdictions do not allow the exclusion or limitation of incidental or consequential damages, the above limitations or exclusions may not apply to you.

IMPLIED WARRANTIES, INCLUDING ANY WARRANTY OF MERCHANTABILITY OR FITNESS FOR A PARTICULAR PURPOSE, IMPOSED ON THIS SALE UNDER STATE LAW, ARE LIMITED TO THE PERIOD DURING WHICH THIS WARRANTY IS IN EFFECT. AS SOME JURISDICTIONS DO NOT ALLOW LIMITATIONS ON THE LENGTH OF AN IMPLIED WARRANTY, THE ABOVE LIMITATION MAY NOT APPLY TO YOU.

Claims under this warranty must be made within the warranty period in writing and directed to:

USA:

Warranty Claims
Z-Flex® (US) Inc. 20 Commerce Park North
Bedford, New Hampshire 03110
(603) 669-5136 or (800) 654-5600.

Canada:

Warranty Claims
Z-Flex® Inc. 452 Attwell Drive
Etobicoke, ON M9W 5C3
(416) 679-0045

This warranty gives you specific legal rights, and you may also have other rights that vary in different states and provinces.



WARRANTY REGISTRATION CARD: Z-FLEX®

For this warranty to be effective, this card must be completed upon purchase of the covered Z-VENT™ and returned to Z-Flex® within ninety (90) days of installation of the Z-VENT™.

Original end-user's name: _____

Address of premises in which the Z-VENT™ is installed: _____

Z-VENT™ purchased from: _____

Date of Installation: _____

Type of Heating System into which Z-VENT™ installed: _____

I understand and agree to the Warranty as stated: _____

Signature _____

Date _____

Flexmaster Canada Limited
Model SVEIV Instructions Ver. 1.0 Aug 2005





20 Commerce Park North
Bedford, New Hampshire 03110-6911
tel: 603.669.5136 fax: 603.669.0309

452 Attwell Drive
Etobicoke, ON M9W 5C3
tel: 416.679.0045 fax: 416.679.0051

www.z-flex.com email sales@z-flex.com